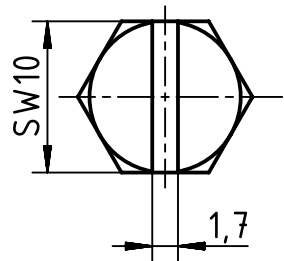
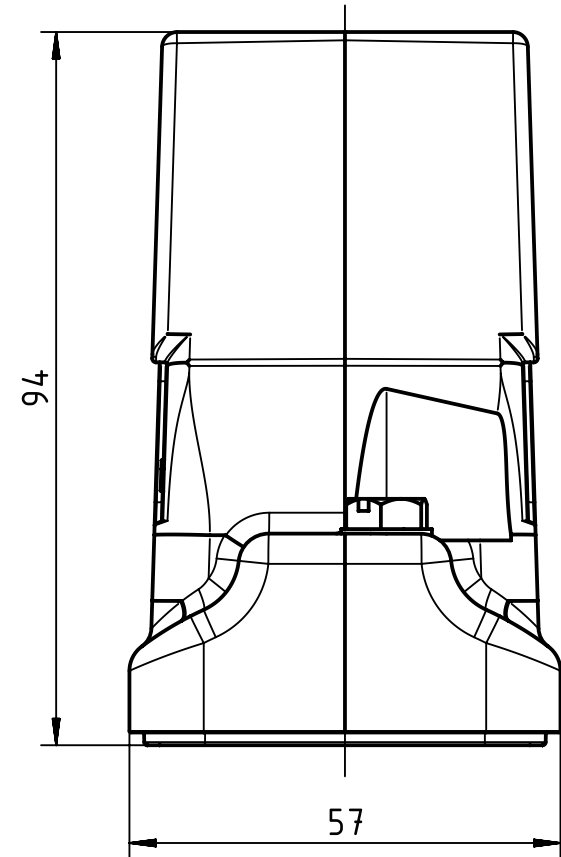
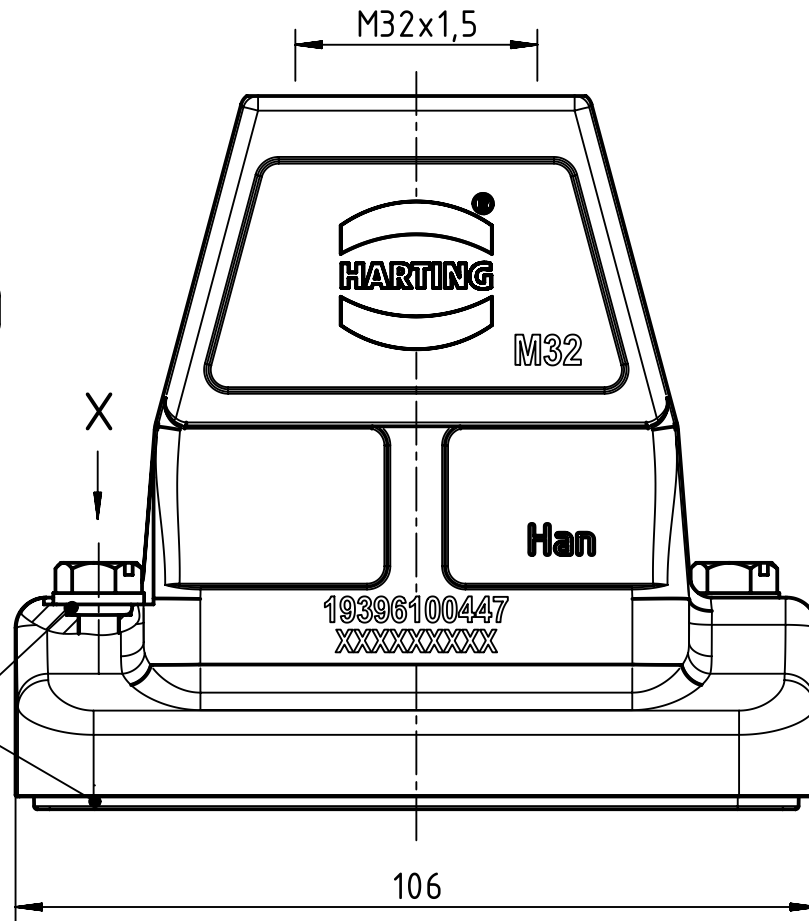
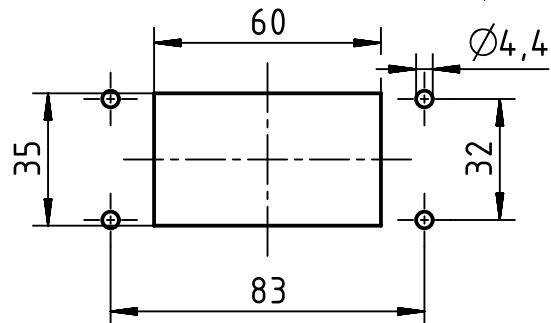



X (2:1)



Panel cut out (1:2)



	All rights reserved		Created by LONGL		Inspected by WENE		Standardisation SCHMIDTM		Date 2017-03-20		State Final Release	
	Department EL PD - CN		Title Han 10HP Direct/B-HTE-M32		Number 19 39 610 0447		Doc-Key / ECM-Nr. 100632975/UGD/004/D 500000116960		Rev. D		Page 1/1	
HARTING (Zhuhai) Manufacturing Co., Ltd. 519085 Zhuhai, China			Scale 1:1		Free size tol.		Ref. Sub.					
			All Dimensions in mm Original Size DIN A4									