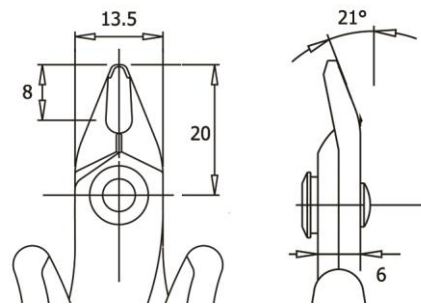


Professionally approved products.

## Cable Cutters

# Flush Type Cable Cutter, 138mm Overall Length, 1.3mm cutting capacity



[RS Stock No. 606-490](#)

Tool for a flush cut. it is ideal for delicate work in electronics, Cutting force (kg) 5.5 / Copper wire ( $\varnothing$  mm)1.30 (awg) 16 / Steel thickness 3.0mm. Tool length 138mm.

