



RAST | RAST 5 IDC Connectors

TE Internal #: 8-1241961-2

2 Position, Receptacle, Housing, Crimp, Wire-to-Board, UL 94V-2, 5 mm [.197 in] Centerline, 1 Row, Wire & Cable, Power & Signal, RAST 5 IDC Connectors

[View on TE.com >](#)

Connectors > Rectangular Connectors > Standard Rectangular Connectors



Connector Product Type: **Housing**

Connector & Housing Type: **Receptacle**

Mating Retention Type: **Latch**

Connector System: **Wire-to-Board**

UL Flammability Rating: **UL 94V-2**

Features

Product Type Features

Connector Product Type	Housing
Connector & Housing Type	Receptacle
Connector System	Wire-to-Board
Sealable	No
Connector & Contact Terminates To	Wire & Cable

Configuration Features

Keying & Polarized Rib Location	1a,2b
Number of Positions	2
Number of Rows	1

Body Features

Primary Product Color	Natural
-----------------------	---------

Termination Features

Termination Method to Wire & Cable	Crimp
------------------------------------	-------

Mechanical Attachment

Locking Latch Between Cavity Number	1&2
Panel Mount Feature	Without
Mating Retention Type	Latch
Mating Retention	With
Connector Mounting Type	Cable Mount (Free-Hanging)

Housing Features

Centerline (Pitch)	5 mm [.197 in]
Housing Material	PA 6

Dimensions

Connector Height	13.9 mm [.547 in]
Connector Length	25.5 mm [1 in]

Usage Conditions

Operating Temperature Range	-40 – 105 °C [-40 – 221 °F]
-----------------------------	-----------------------------

Operation/Application

Circuit Application	Power & Signal
---------------------	----------------

Industry Standards

RAST Version	02-B
UL Flammability Rating	UL 94V-2
Glow Wire Rating	Glow Wire

Packaging Features

Packaging Quantity	3200
Packaging Method	Box & Carton

Product Compliance

[For compliance documentation, visit the product page on TE.com>](#)

EU RoHS Directive 2011/65/EU	Compliant
EU ELV Directive 2000/53/EC	Compliant
China RoHS 2 Directive MIIT Order No 32, 2016	有害物质含量符合标准要求 No Restricted Substance(s) Above Threshold
EU REACH Regulation (EC) No. 1907/2006	Current ECHA Candidate List: JUNE 2025 (250)



Candidate List Declared Against: JUNE 2025 (250)
Does not contain REACH SVHC

Halogen Content

Not Low Halogen - contains Br or Cl > 900 ppm.

Solder Process Capability

Not applicable for solder process capability

Product Compliance Disclaimer

This information is provided based on reasonable inquiry of our suppliers and represents our current actual knowledge based on the information they provided. This information is subject to change. The part numbers that TE has identified as EU RoHS compliant have a maximum concentration of 0.1% by weight in homogenous materials for lead, hexavalent chromium, mercury, PBB, PBDE, DBP, BBP, DEHP, DIBP, and 0.01% for cadmium, or qualify for an exemption to these limits as defined in the Annexes of Directive 2011/65/EU (RoHS2). Finished electrical and electronic equipment products will be CE marked as required by Directive 2011/65/EU. Components may not be CE marked. Additionally, the part numbers that TE has identified as EU ELV compliant have a maximum concentration of 0.1% by weight in homogenous materials for lead, hexavalent chromium, and mercury, and 0.01% for cadmium, or qualify for an exemption to these limits as defined in the Annexes of Directive 2000/53/EC (ELV). Regarding the REACH Regulation, the information TE provides on SVHC in articles for this part number is based on the latest European Chemicals Agency (ECHA) 'Guidance on requirements for substances in articles' posted at this URL: <https://echa.europa.eu/guidance-documents/guidance-on-reach>

Compatible Parts



TE Part # 3-1241961-2
STD TIM HOUSING MKII 2POS



TE Part # 7-1241961-2
STD TIM HOUSING MKII 2POS



TE Part # 964768-3
STD-TIM HSG SPECIAL 2P (NATURE)



TE Part # 3-1241961-1
2POS STANDARD TIMER HOUSING



TE Part # 5-1241965-2
2POS STANDARD TIMER HOUSING



TE Part # 1241961-1
STD TIM HOUSING MKII 2POS



TE Part # 1241961-3
STD TIM HOUSING MKII 2POS



TE Part # 9-1241961-2
STD TIM HOUSING MKII 2POS



TE Part # 6-1241961-2
STD TIM HOUSING MKII 2POS



TE Part # 6-1241961-3
STD TIM HOUSING MKII 2POS



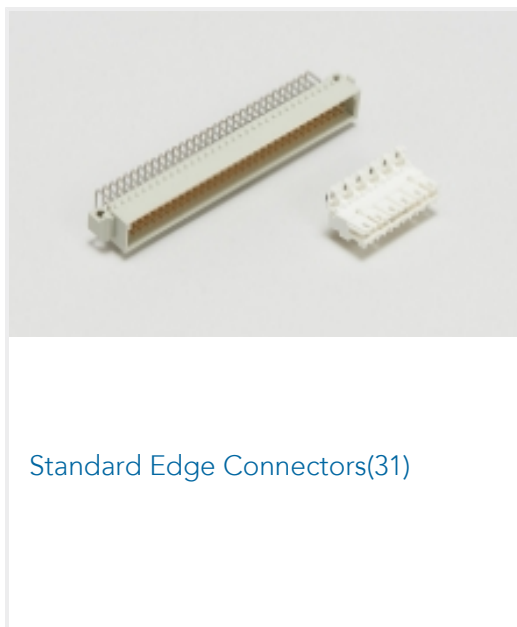
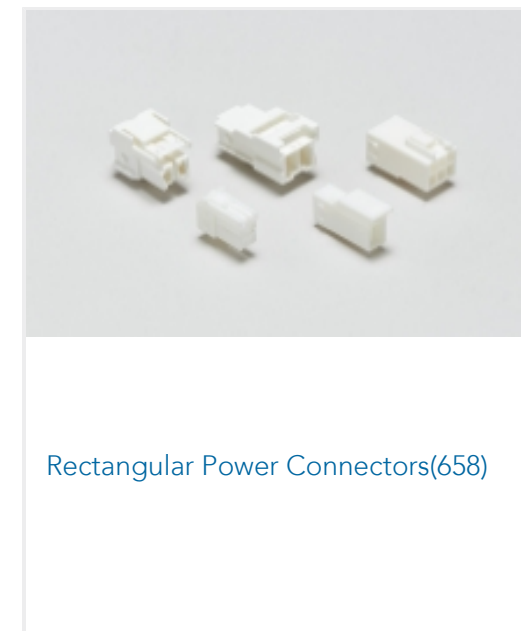
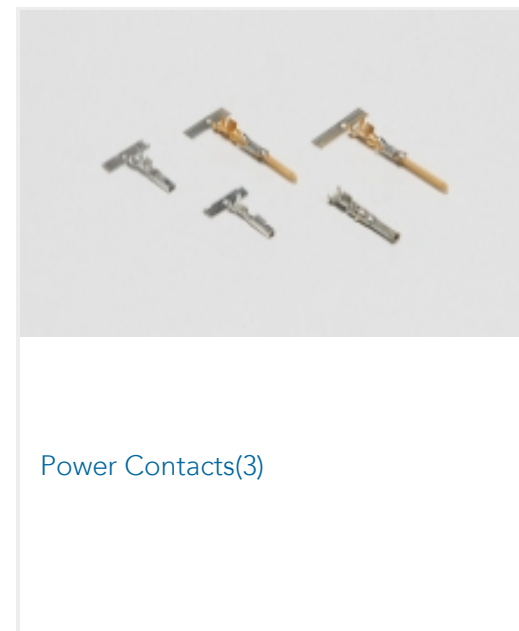
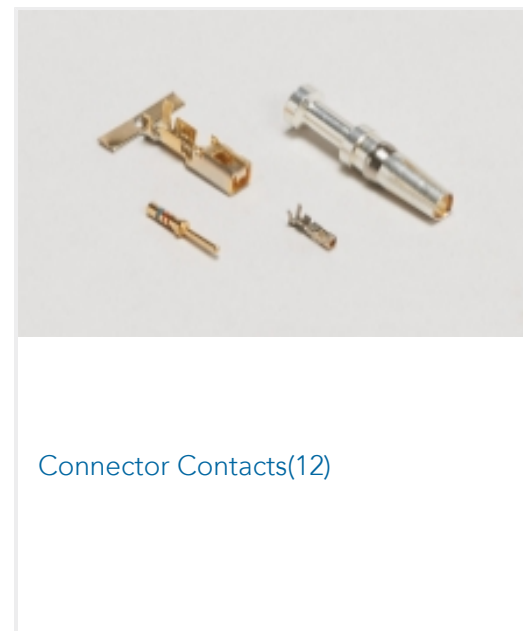
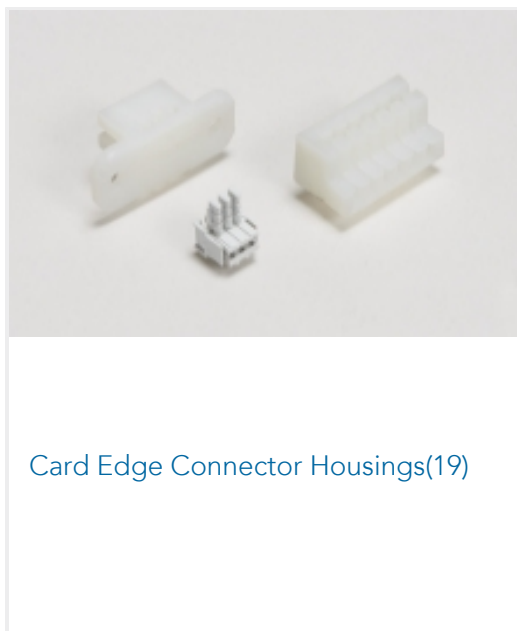
TE Part # 8-1241961-3
2POS STD-TIMER HOUSING PITCH5 MK II



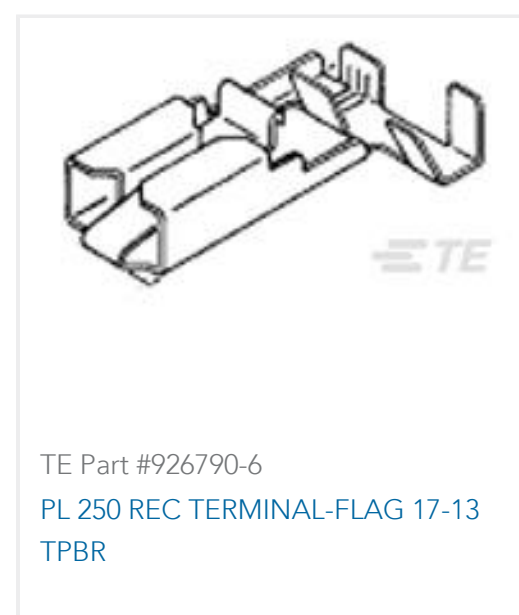
TE Part # 4-1241961-3
2POS.STD.TIMER HSG.MARK II



Also in the Series | RAST 5 IDC Connectors



Customers Also Bought





Documents

Product Drawings

[STD TIM HOUSING MKII 2POS](#)

English

CAD Files

[3D PDF](#)

3D

Customer View Model

[ENG_CVM_CVM_8-1241961-2_C.2d_dxf.zip](#)

English

Customer View Model

[ENG_CVM_CVM_8-1241961-2_C.3d_igs.zip](#)

English

Customer View Model

[ENG_CVM_CVM_8-1241961-2_C.3d_stp.zip](#)

English

By downloading the CAD file I accept and agree to the [Terms and Conditions](#) of use.

Datasheets & Catalog Pages

[RAST Connector System Catalog](#)

English

Product Specifications

[Product Specification](#)

German

Agency Approvals

[VDE Certificate](#)

English