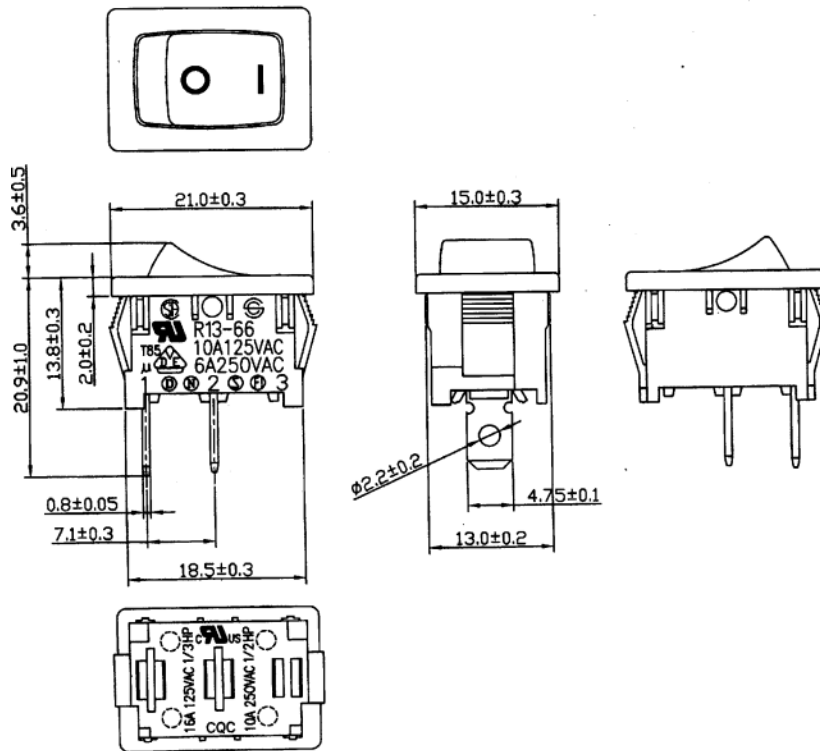


Datasheet

Black SPST Rocker Switch, On-Off, 16 A@ 125 V ac +85°C -20°C 13mm 19.8mm

RS Stock number [419-744](#)

Dimensions (mm)



Specifications

- Rating: 10A 125V, 6A 250V AC
6A 25V
16A 125VAC 1/3HP, 1A 250VAC 1/2HP
- Contact R: 50m ohm max
- Insulation R: DC500V 100M ohm min
- Dielectric Strength: AC 1500V 1 min
- Operating Temperature: -20°C~85° C
- Circuit: 2P SPST ON-OFF