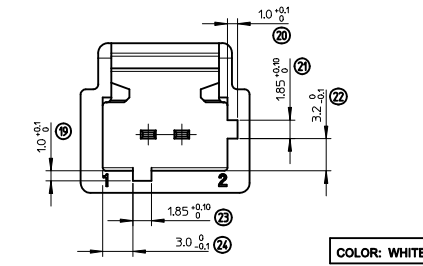
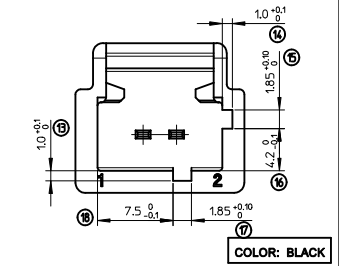
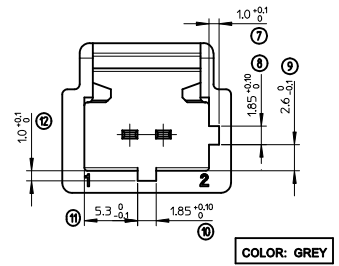
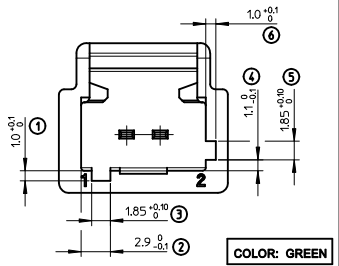
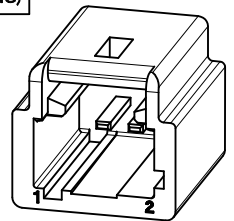


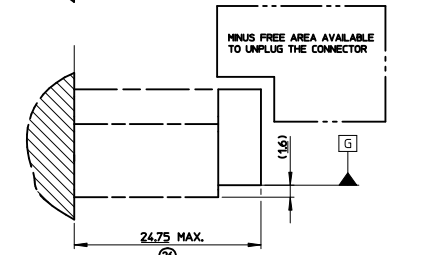
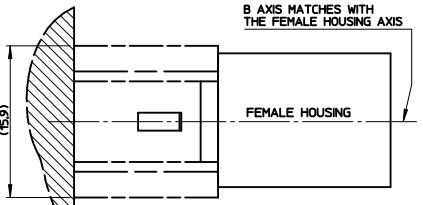
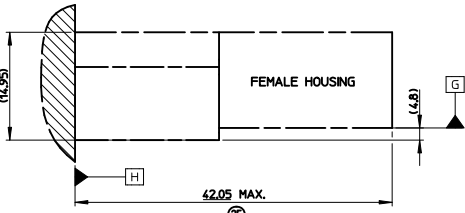
**CODINGS**



**ISO VIEW  
(GREEN CODING)**



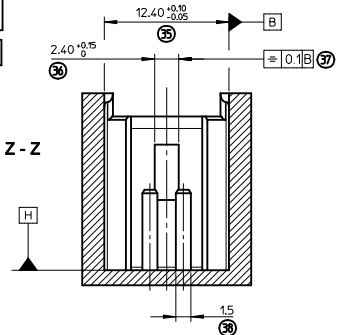
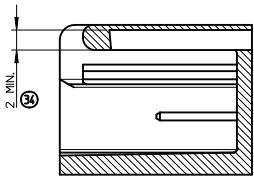
**OVERALL DIMENSIONS**



**HEADER'S DEFINITION**

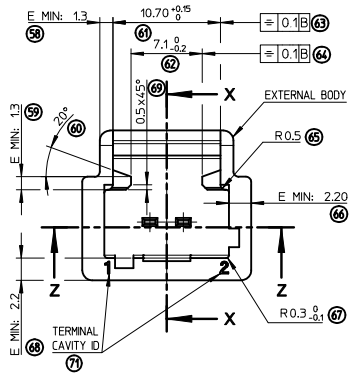
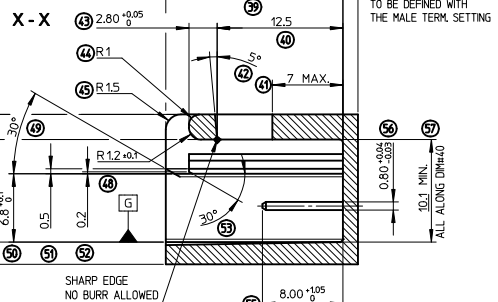
**GREEN CODING REPRESENTED**

**X - X  
VARIABLE**

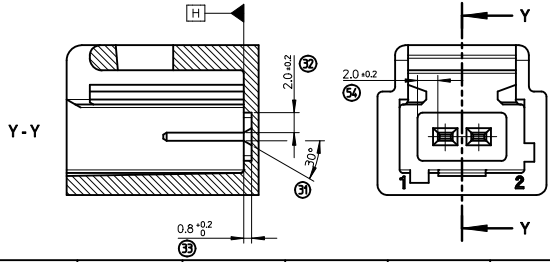


**NOTES:**

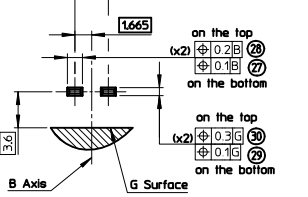
- MALE TERMINALS:**
  - MALE TERMINALS RESISTANCE: 100N MIN IN MALE TERM. AXIS.
  - MATERIAL: COPPER, COPPER ALLOY OR BRASS.
  - FINISHES: TIN PLATED 2μ MIN.
- HEADER:**
  - RADII WITHOUT DIM: R=0.3MM
  - E MIN: MINIMUM MATERIAL THICKNESS RECOMMENDED FOR SPECIFIED MATERIAL.
  - MATERIAL: PBT (RECOMMENDED) (70)
  - WARPING: 0.35MM MAX. ACCEPTED ON "\*" DIM. WITH ANOTHER EXTERNAL SHAPE AS DRAWN WHEN PLUGGED.
- MATES WITH:**
  - MOLEX CONNECTORS 9887-102X



**MALE TERMINALS VARIABLE SETTING**



**MALE TERMINALS SETTING**



REV.	1	71		
	FIRST	LAST	DELETED	SUPERSEDED

INSPECTION NUMBERS

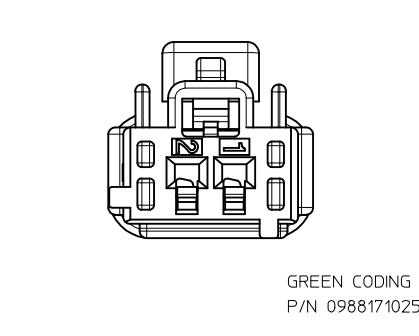
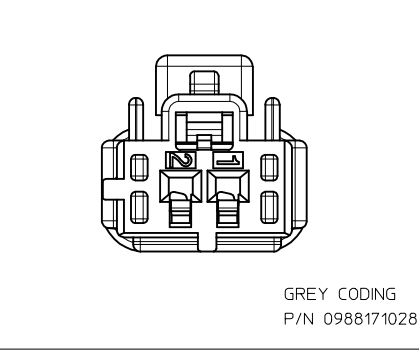
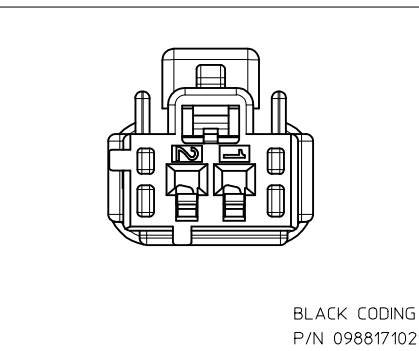
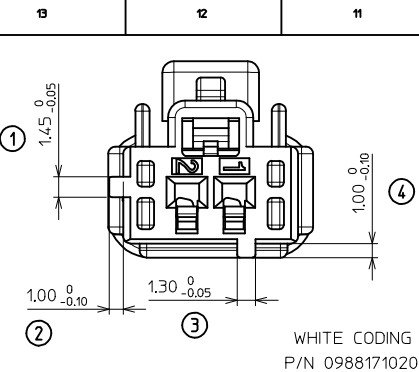
<b>PRINT 1ST RELEASE</b> EC NO: G2012-0179 DRAWN BY: GDESBRUERES 2012/04/18 CHKD: JDUCCLOS 2012/04/18 APPROVED BY: OPLESSIS 2012/04/23	QUALITY SYMBOLS GENERAL TOLERANCES (UNLESS SPECIFIED) 4 PLACES ± --- ± --- 3 PLACES ± --- ± --- 2 PLACES ± 0.1 ± --- 1 PLACE ± 0.1 ± --- 0 PLACE ± ± --- ANGULAR ± 2 ° DRAFT WHERE APPLICABLE MUST REMAIN WITHIN DIMENSIONS	DIMENSION STYLE	SCALE	DESIGN UNITS	FIRST ANGLE PROJECTION
		MM ONLY	4:1	METRIC	☐
		DRAWN BY: GDESBRUERES 2012/04/18	DATE	TITLE	
		CHECKED BY: JDUCCLOS 2012/04/18	DATE		
APPROVED BY: OPLESSIS 2012/04/23	DATE				
MATERIAL NO.	N/A	DOCUMENT NO.	SD-98815-002	SHEET NO.	1 OF 1

REV.	MODIFICATIONS
A	-PRINT FIRST RELEASE

**2W INTERFACE 15 TERM.  
(FOR FEMALE HOUSING)**

**molex**

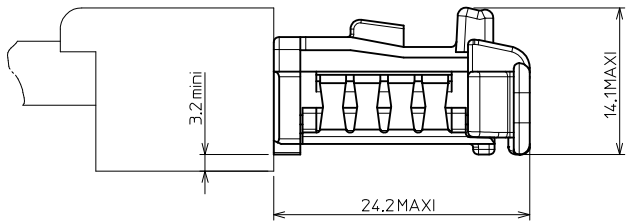
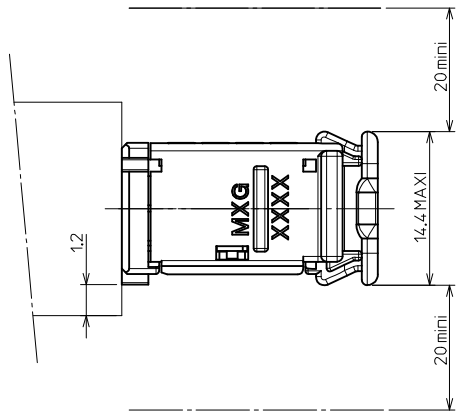
INCORPORATED AND SHOULD NOT BE USED WITHOUT WRITTEN PERMISSION



CODING 4:1

HANDLING AREA

AREA REQUIRED TO MATE AND UNMATE THE CONNECTOR



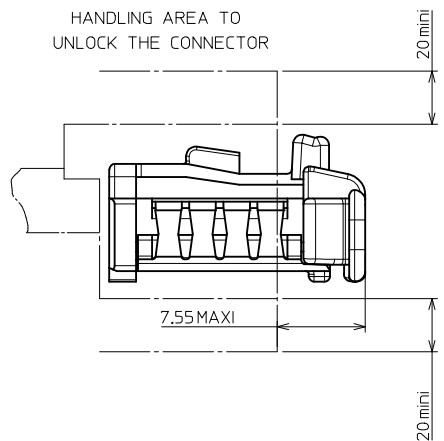
NOTE : 1 - The using conditions of the hinge are showed in the MOLEX specification n°AS-98821-001.

- 2 - Female terminal used : SCC RCPT TERM 1.5mm
- Range 1 : 0988971109 (0.22 mm<sup>2</sup> to 2x0.22 mm<sup>2</sup>)
  - Range 2 : 0988971119 (0.5 mm<sup>2</sup> to 1 mm<sup>2</sup> included)
  - Range 3 : 0988971129 (2x0.5 mm<sup>2</sup> to 2 mm<sup>2</sup> included)

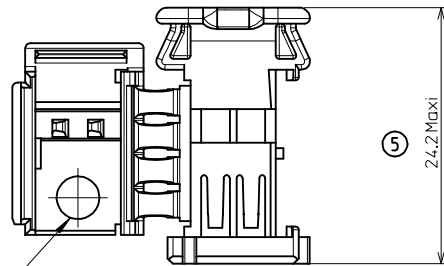
3 - Female connector will mate with male connector P/N 098822102x.

AREA REQUIRED WHEN THE CONNECTOR IS MATED

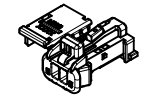
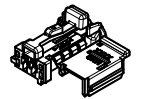
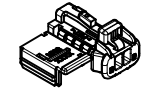
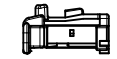
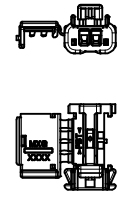
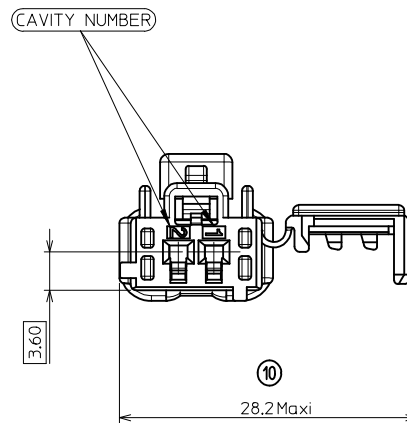
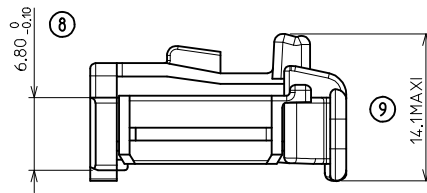
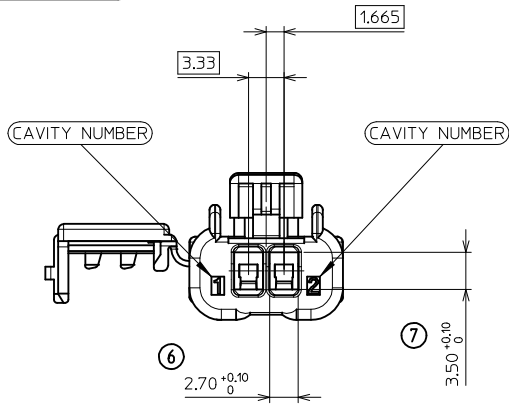
HANDLING AREA TO UNLOCK THE CONNECTOR



<b>FIRST RELEASE</b> EC NO: G2007-0386 DRAWN: LPOUCHAUD 2008/03/10 CHKD: YIGEL 2008/03/10 APPR: LSTICKEIR 2008/03/10	DESCRIPTION REV A	GENERAL TOLERANCES (UNLESS SPECIFIED)		DIMENSION STYLE <b>MM ONLY</b>	SCALE <b>3:1</b>	DESIGN UNITS <b>METRIC</b>	THIRD ANGLE PROJECTION														
		<table border="1"> <thead> <tr> <th></th> <th>mm</th> <th>INCH</th> </tr> </thead> <tbody> <tr> <td>4 PLACES</td> <td>± ---</td> <td>± ---</td> </tr> <tr> <td>3 PLACES</td> <td>± ---</td> <td>± ---</td> </tr> <tr> <td>2 PLACES</td> <td>± 0.05</td> <td>± ---</td> </tr> <tr> <td>1 PLACE</td> <td>± 0.1</td> <td>± ---</td> </tr> </tbody> </table>		mm	INCH	4 PLACES	± ---	± ---	3 PLACES	± ---	± ---	2 PLACES	± 0.05	± ---	1 PLACE	± 0.1	± ---	ANGULAR ± 1°	DRAWN BY LPOUCHAUD 2008/01/17	DATE 2008/01/17	TITLE <b>NSCC RCPT HSG 1.5 2CKT</b>
			mm	INCH																	
		4 PLACES	± ---	± ---																	
3 PLACES	± ---	± ---																			
2 PLACES	± 0.05	± ---																			
1 PLACE	± 0.1	± ---																			
DRAFT WHERE APPLICABLE MUST REMAIN WITHIN DIMENSIONS	SEE CHART	CHECKED BY YIGEL 2008/01/17	DATE 2008/01/17	APPROVED BY LSTICKEIR 2008/01/25	DATE 2008/01/25	<b>MOLEX</b> MOLEX INCORPORATED	DOCUMENT NO. <b>SD-98817-001</b>														
		SIZE <b>A2</b>	THIS DRAWING CONTAINS INFORMATION THAT IS PROPRIETARY TO MOLEX INCORPORATED AND SHOULD NOT BE USED WITHOUT WRITTEN PERMISSION			SHEET NO. 1 OF 2															

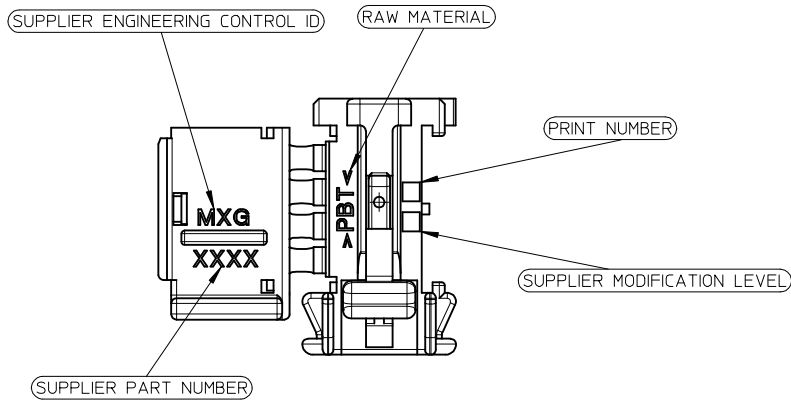


DATUM MONTH/YEAR



1:1

1:1



GREEN CODING (P/N 0988171025) IS SHOWN.

NSCC Rcpt Hsg 1.5 2CKT	0988171028	Grey	POLYESTER (PBT)	1.723 g			
	0988171025	Green					
	0988171021	Black					
	0988171020	White					
Description	Part-Number	Color	Raw Material	Weight effective			
<b>FIRST RELEASE</b> EC NO: G2007-0386 DRWN: LPOUCHAUD 2008/03/10 CHKD: YIGEL 2008/03/10 APPR: LSTICKEIR 2008/03/10	QUALITY SYMBOLS  	GENERAL TOLERANCES (UNLESS SPECIFIED)		DIMENSION STYLE	SCALE	DESIGN UNITS	THIRD ANGLE PROJECTION
		4 PLACES ± --- ± --- 3 PLACES ± --- ± --- 2 PLACES ± 0.05 ± --- 1 PLACE ± 0.1 ± --- ANGULAR ± 1 °	mm INCH ± --- ± --- ± --- ± --- ± --- ± --- ± --- ± ---	MM ONLY	3:1	METRIC	
A REV	DESCRIPTION	DRAWN BY LPOUCHAUD DATE 2008/01/17	TITLE		NSCC RCPT HSG 1.5 2CKT		
		CHECKED BY YIGEL DATE 2008/01/17	APPROVED BY LSTICKEIR DATE 2008/01/25				
DRAFT WHERE APPLICABLE MUST REMAIN WITHIN DIMENSIONS		SEE CHART		MOLEX INCORPORATED SD-98817-001			
THIS DRAWING CONTAINS INFORMATION THAT IS PROPRIETARY TO MOLEX INCORPORATED AND SHOULD NOT BE USED WITHOUT WRITTEN PERMISSION		SIZE A2		SHEET NO. 2 OF 2			