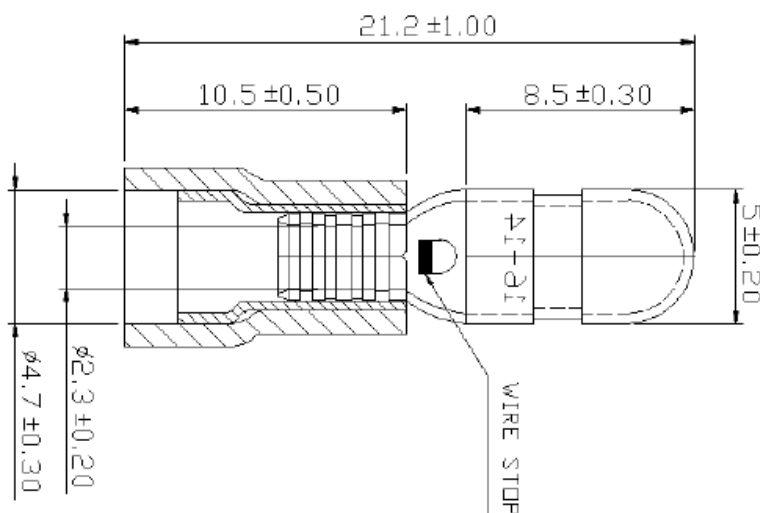


Datasheet

Insulated Male Crimp Bullet Connector

RS Stock number [624-1162](#)

Drawing (mm):



Specifications:

Max. Electrical Current:	A.W.G 16 – 14
	AMP 10 – 15
Max. Electrical Rating:	75°C 600 Volts
Insulation Material:	Vinyl
Insulation Colour:	Blue
Wire Range:	16-14 A.W.G (1.5-2.5mm ²)
Terminals Surface Treatment:	Tin Plated
Double Crimp:	With copper sleeve on barrel
Thickness:	0.4mm