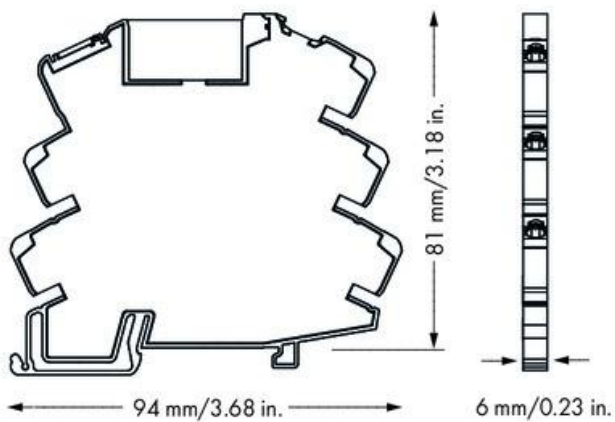
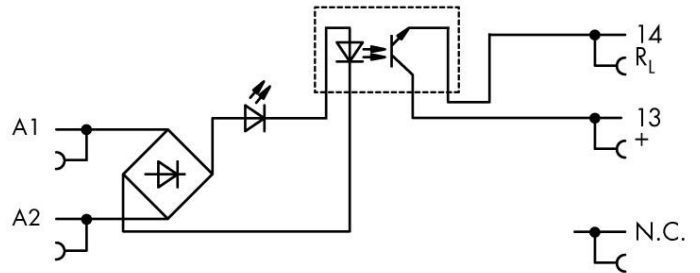
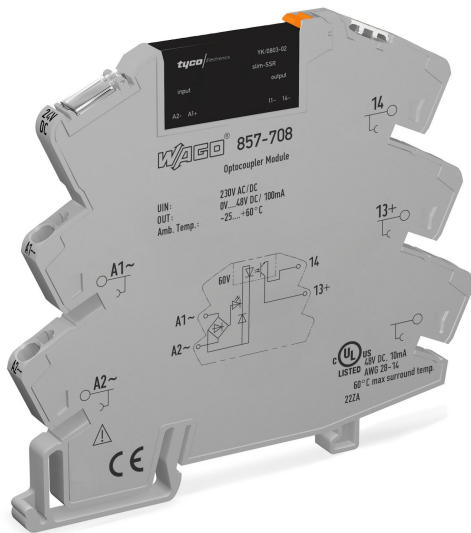


Data sheet | Item number: 857-708

Socket with solid state relay; Input AC/DC 230 V; Output DC 0 V ... 48 V / 0.1

A

[www.wago.com/857-708](http://www.wago.com/857-708)



### Item description

#### Note:

Optocouplers and solid state relays are designed for use in signal processing networks, which are not supplied by the low-voltage power supply networks.

## Data

## Technical Data

## Control circuit

Nominal input voltage $U_N$	230 V AC/DC
Input voltage range (low level)	0 ... 30 V AC/DC
Input voltage range (high level)	200 ... 253 V AC/DC
Nominal input current at $U_N$	3.25 mA

## Load circuit:

Circuit type	2-conductor termination
Limiting continuous current	0.1 A
Output voltage range	0 ... 48 VDC
Max. voltage drop at output	$\leq 1$ VDC
Reverse voltage transistor/triac	60 V
Min. switching current	50 $\mu$ A
Turn-on time	$\leq 100$ $\mu$ s
Drop-out time	$\leq 600$ $\mu$ s
Switching frequency	$\leq 1$ kHz

## Signaling

Status indication	LED yellow
-------------------	------------

## Safety and protection:

Dielectric strength, control/load circuit (AC, 1 min)	3.75 kV <sub>rms</sub>
Dielectric strength, control/load circuit (AC, 1 min)	3.75 kV <sub>rms</sub>
Degree of protection	IP20

## Connection data

Connection technology	Push-in CAGE CLAMP®
Solid conductor	0.34 ... 2.5 mm <sup>2</sup> / 22 ... 14 AWG
Fine-stranded conductor	0.34 ... 2.5 mm <sup>2</sup> / 22 ... 14 AWG
Strip length	9 ... 10 mm / 0.35 ... 0.39 Inch

## Geometrical Data

Width	6 mm / 0.236 in
Height from upper-edge of DIN-35 rail	81 mm / 3.189 in
Depth	94 mm / 3.701 in

## Mechanical data

Type of mounting	DIN-35 rail
------------------	-------------

## Material Data

Color	gray
Weight	30.7 g

## Environmental Requirements

Permissible surrounding air (operating) temperature at $U_N$	-20 ... 60 °C
Surrounding air (storage) temperature	-40 ... 70 °C

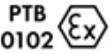

## Standards and specifications

Standards/specifications	EN 61000-6-2; EN 61000-6-3; EN 61373; EN 61010-2-201; UL 508
--------------------------	--


## Commercial data

Country of Origin	DE
GTIN	4045454835514
Product Group	6 (Interface Electronics)

## Ex-Approvals

Logo	Approval	Certificate name
	ATEX DEKRA EXAM GmbH	BVS_14_ATEX_E_091_X
	IECEX DEKRA EXAM GmbH	IECEX_BVS_14.0079_X

## UL-Approvals

Logo	Approval	Certificate name
	<b>UL</b> UL International Netherlands B.V. (ORDINARY LOCATIONS)	E175199 Sec.4

Subject to changes.