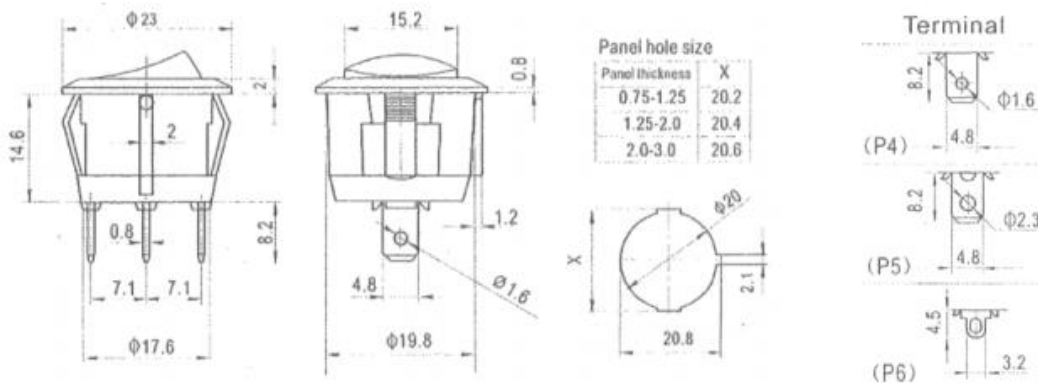


Datasheet

Illuminated Red SPST Rocker Switch

RS Stock number [273-299](#)

Dimensions: (mm)



RoHS Certified



SPECIFICATIONS	ABRR015 Round Rocker
Rating	6(2)A/250VAC T125/55 1E4 VDE 10A 125VAC UL C-UL
Colour	Black Body Red Illuminated
Switching Action	SP On-off
Contact Diameter	P5 (2.3mm)
Contact Resistance	30m Ohms Max
Insulation Resistance	500VDC 100M Ohms Min
Electrical Life	10000 cycles
Operation force	300 – 600gf
Operating Temperature Range	-25 - 125°C
Housing Material	Nylon #66 UL 94V-2
Rocker Material	PC UL 94HB
Terminal Material	Copper Alloy SN or AG plated
Contact Material	AgNi (15) Alloy