

RFI FILTER

Data Sheet

Datenblatt

Fiche Technique

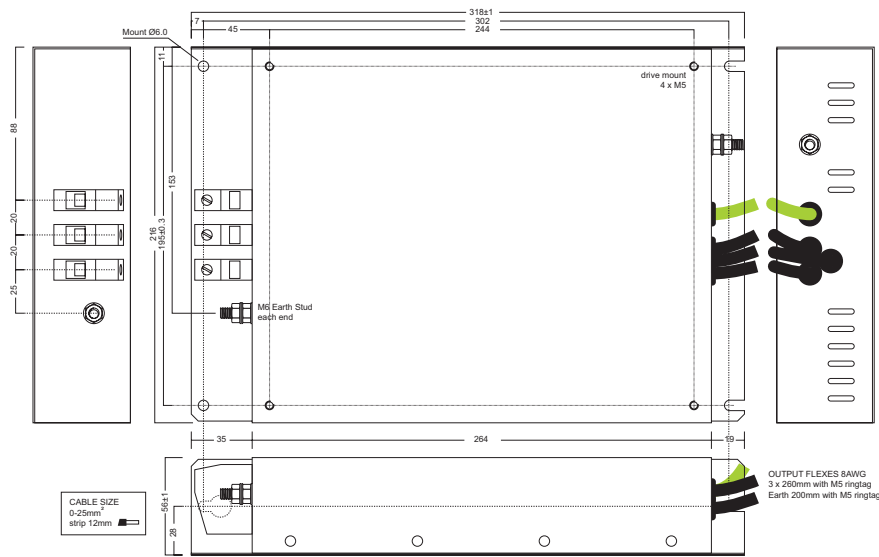
FILTER TYPE

FFR-MSH-300-50A-RF1

DIMENSIONS

ABMESSUNGEN

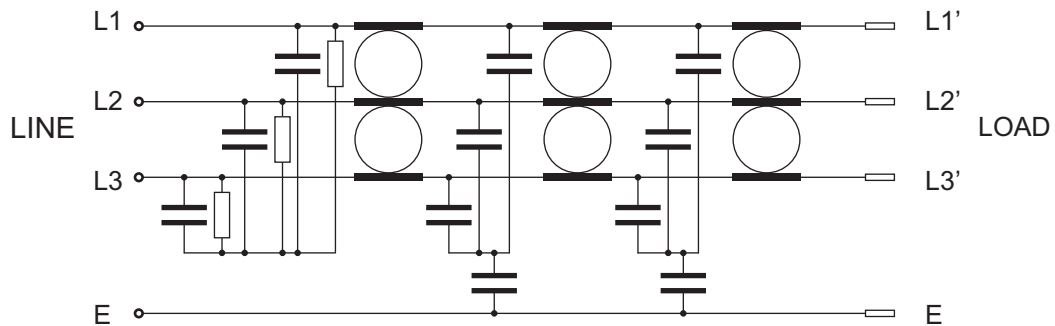
DIMENSIONS



CIRCUIT DIAGRAM

ELEKTR. SCHEMA

SCHEMA ELECTRIQUE



DATA	DATEN	CHARACTERISTIQUES	
RATED VOLTAGE	NENNSPANNUNG	TENSION NOMINALE	480V
RATED CURRENT	NENNSTROM	COURANT NOMINAL	50A
AT AMBIENT TEMP	BEI UMGEBUNGSTEMP	A UNE TEMPERATURE AMBIANTE	50°C
RATED OP FREQUENCY	BETRIEBSFREQUENZ	FREQUENCE DE SERVICE	48-62Hz
TEMPERATURE RANGE	ZULÄSSIGE BETRIEBSTEMP	GAMME DE TEMPERATURE	-25 -> +85°C
LEAKAGE CURRENT	ABLEITSTROM BEI -->E	COURANTE DE FUITE A	1.5mA nom (80mA max)
POWER LOSS	LEISTUNGSABFALL	PERTE DE PUISSANCE	
FLASH TEST VOLTAGE	PRÜFSPANNUNG	TENSION D'ESSAIS	3.0kVdc (P-E)
POTTING COMPOUND	VERGUSSMASSE	MATIERE DE MOULAGE	polyurethane
WEIGHT	GEWICHT	POIDS	2.8kg
APPROVALS	PRÜFZEICHEN	HOMOLOGATIONS	

**ADDITIONAL INFORMATION
ZUSATZANGABEN
INFORMATIONS SUPPLEMENTAIRES**

filter is designed for use with Mitsubishi Electric E740 series 400V drives
FR-E740-230, 300
footprint design - filter mounts under inverter.

9			
8			
7			
6			
5			
4			
3			
2			
1			
MODIFICATIONS	DATE	AUTHORISED	

DRAWN BY CDJ

APPROVED BY

DATE: 15/4/08

FILTER TYPE FFR-MSH-300-50A-RF1

DRAWING No. DS 304-FE7

ISSUE No. 0.4

RASMI RASMI ELECTRONICS LTD ENGLAND rev.3