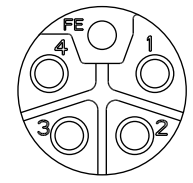
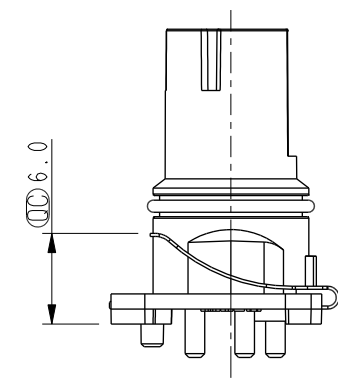
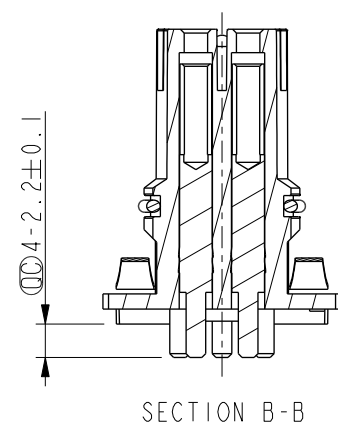
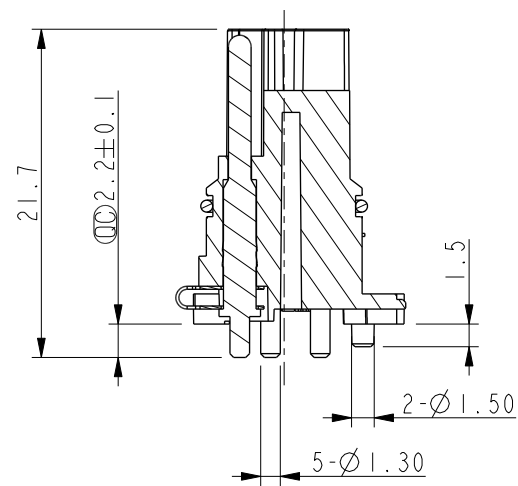
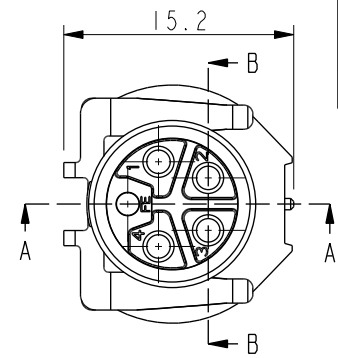
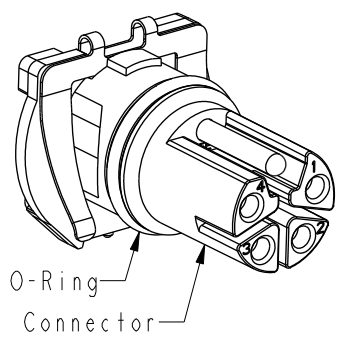
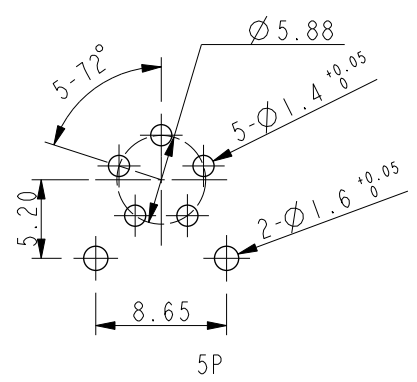


THIS DOCUMENT IS SUBJECT TO CHANGE WITHOUT NOTICE. IT IS CONFIDENTIAL AND A PROPERTY OF Amphenol LTW. DISCLOSURE TO THIRD PARTY HAS TO BE AUTHORIZED BY Amphenol LTW.

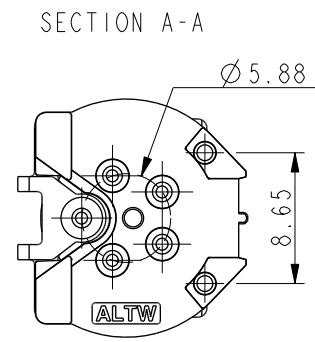
REV.	ECN NO.	DATE	SIGN	DESCRIPTION
A		2020-11-20	Allen Pan	Rev.01 To Rev.A
B	C210309	2021-03-10	Ruru	$\triangle B$ X4



4+FE
Pin Assignment
Front View



$\triangle B$ PCB Layout



$\triangle B$
MI2L-XXPFDP-EE0001
XX: No. Of Pin

- $\triangle B$ Note:
- * RoHS Compliant
 - * ⌀ Important dimension
 - * Waterproof rate: Non-Waterproof
 - * Connector
 - Housing: Thermoplastic, Black
 - Pin: Copper Alloy, Gold Plated
 - * O-Ring: Rubber, Black

UNIT: mm		
TOLERANCE	.X ±0.25	
	.XX ±0.1	
	.XXX ±0.05	
ANGLES	±2°	

TITLE N SEN, MI2 L, NONE RECEPTACLE, F, F PWR+M GND, PCB S			
SCALE 2:1	SIZE A4	SHEET 1 OF 1	
REV. B	WC-REV. A.1	⌀ : Inspection item	

Amphenol LTW
安費諾亮泰企業股份有限公司

ITEM NO.	DRAWN BY Allen Pan	DATE 2020-11-20
DWG NO. MI2L-XXPFDP-EE0001	CHECKED BY Sam Ho	DATE 2020-11-20
CUSTOMER ALTW	APPROVED BY Fred Lee	DATE 2020-11-20