



Brand of NTN Group

Technical data

UCFL205-16

Bearing units

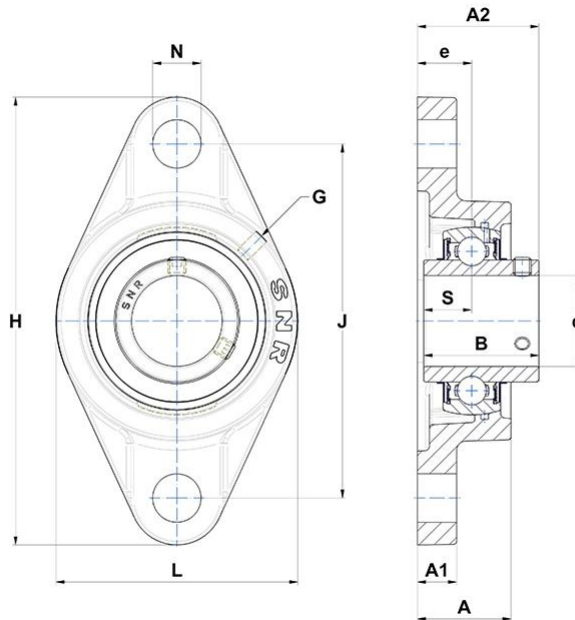


Grey cast housing, radial insert ball bearing with socket set screws, seal with slinger

KIT CONTENT

UC205-16G2, FL205

VISUAL (S)



PRODUCT DEFINITION

Brand	SNR
A - Housing height	27 mm
A1 - Housing foot height / flange height	13 mm
A2 - Total height from mounting surface	35,7 mm
B - Width of Inner Ring	34 mm
d - Shaft diameter	25,4 mm



NTN Europe

1 rue des Usines · BP 2017 · 74010 Annecy Cedex · France · Tel. +33 (0)4 50 65 30 00
S.A. au capital de 322 639 919 € · RCS ANNECY B 325 821 072 · Id. Fiscale : FR 48 325 821 072
SIRET 325 821 072 00015 · Code APE 2815 Z · Code NACE 28.15

PRODUCT DEFINITION

e - Distance mounting surface to bearing center	16 mm
G - Grease fitting	M6x1
H - Housing length, width or diameter	130 mm
J - Mounting holes distance	99 mm
L - Housing width / diameter	68 mm
N - Mounting hole dimension	16 mm
S - Distance front side/bearing centre	14,3 mm

PRODUCT PERFORMANCE

C - Dynamic load rating	14000000 mN
C0 - Static load rating	7880000 mN
Operating temperature min.	253,15 °K
Operating temperature max.	373,15 °K

OTHER FEATURES

Mass	0,61 kg
Recommended tightening torque for set screw	3.7 N-m

