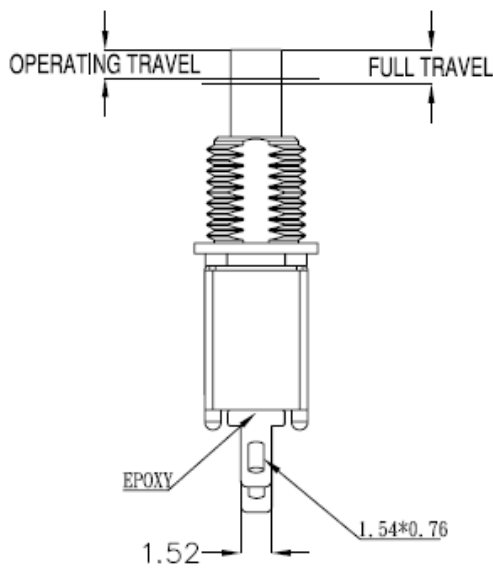
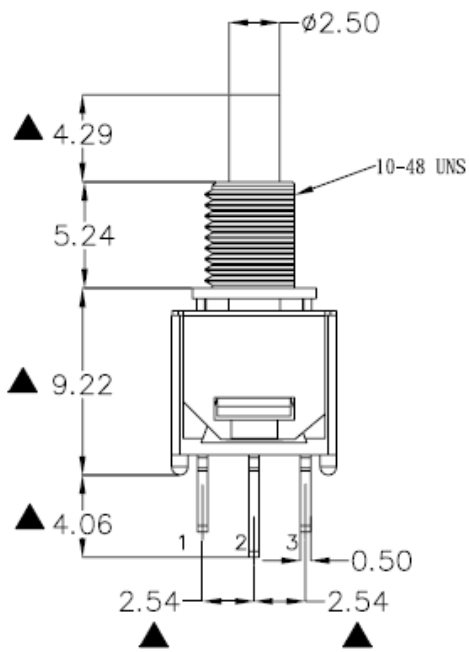
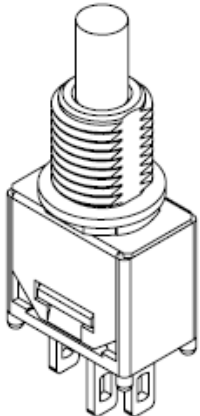
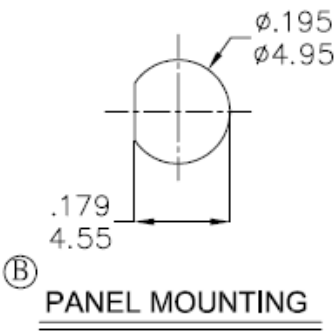
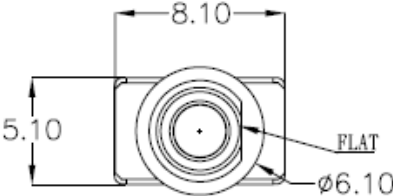


Datasheet

Black SPST Panel Mount Alternate, On-On Push Button Switch, 3 A

RS Stock number [734-6750](#)

Drawing (mm):



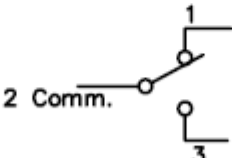
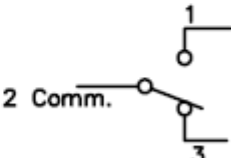


SPECIFICATIONS :

RATING : 1A 250VAC, 3A 120VAC or 28VDC
 CONTACT RESISTANCE : R=20mΩ Max , Q=50mΩ Max
 ELECTRICAL LIFE : 6,000 cycles
 INSULATION RESISTANCE : 1000MΩ min, 1000VDC
 DIELECTRIC STRENGTH : 1000VAC for 1 Minute
 OPERATING TEMPERATURE : -30°C~85°C
 FULL TRAVEL : 1.88±0.30mm
 OPERATING TRAVEL : 1.34±0.25mm
 OPERATING FORCE : 350±100g

MATERIALS :

PLUNGER : NYLON GLASS FIBER
 BUSHING : BRASS, NICKEL PLATED
 HOUSING : STAINLESS
 SPRING : PIANO WIRE
 CONTACT/TERMINALS : SILVER PLATED

Model No.	POS.1	POS.2
		
8MSL	ON	ON
Term. Comm.	1-2	2-3
SCHEMATIC		

SWITCH FUNCTION (B)