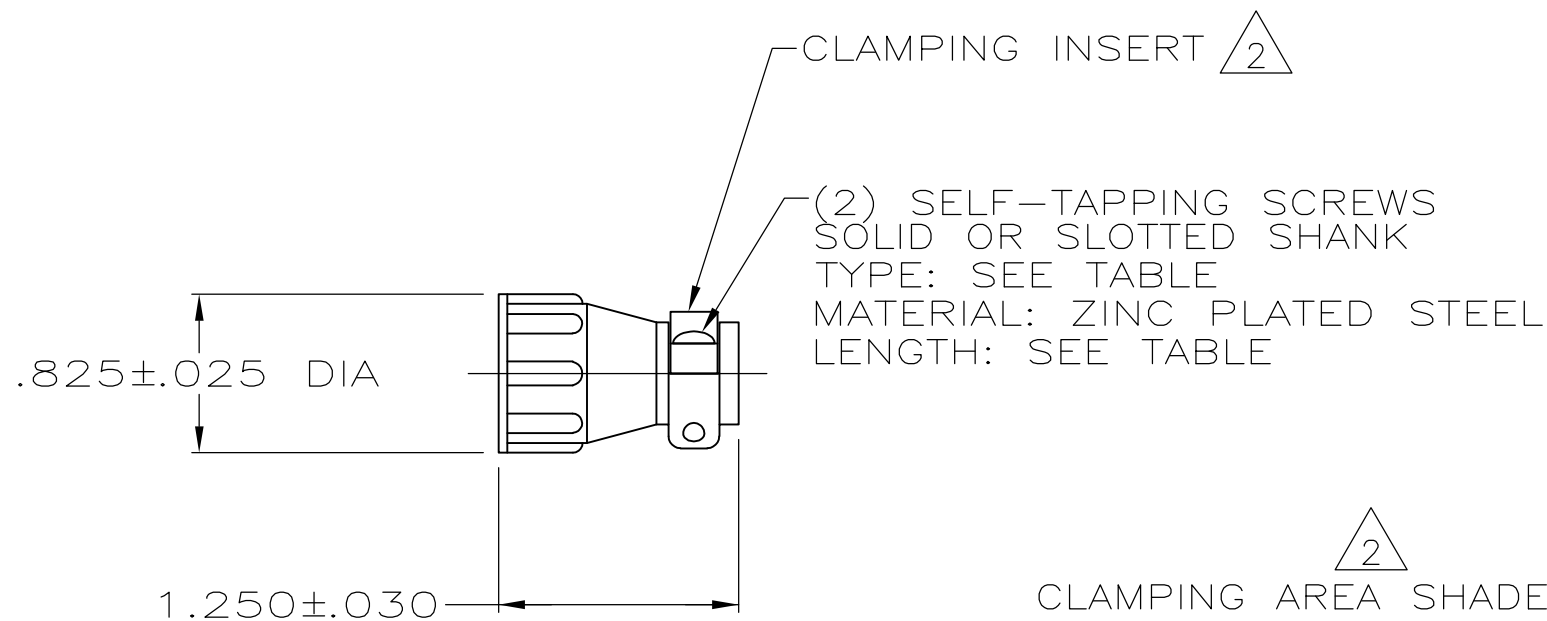


THIS DRAWING IS UNPUBLISHED. RELEASED FOR PUBLICATION  
 © COPYRIGHT BY TYCO ELECTRONICS CORPORATION. ALL INTERNATIONAL RIGHTS RESERVED.

LOC FT	DIST 0	REVISIONS		
P	LTR	DESCRIPTION	DATE	DWN HMR
	U	REVISED PER ECO-08-029122	22NOV08	APVD MS



- 1 PARTS PACKAGED UNASSEMBLED.
- 2 CABLE CLAMPING AREA ADJUSTABLE FROM .004 TO .055 SQ IN BY REVERSING CLAMPING INSERTS.
- 3 .329 MAXIMUM CABLE OUTSIDE DIAMETER.
- 4 BULK PACKAGED KITS TO BE ORDERED IN MULTIPLES OF 400 ONLY.
- 5 OBSOLETE PART NUMBER.
- 6 STAINLESS STEEL (NON MAGNATIC).
- 7 CABLE CLAMP WITH NON-MAGNETIC STAINLESS STEEL SCREWS.
- 8 ZINC PLATED STEEL, NON-HEXAVALENT CHROMATE.

	INDIVIDUAL	8	.38±.00	#5-20	1-206062-6
4	BULK	8	.38±.00	#5-20	1-206062-5
	INDIVIDUAL	8	.50±.00	#5-20	1-206062-4
	INDIVIDUAL	8	.62±.00	#5-20	1-206062-3
7	INDIVIDUAL	6	.50±.00	#5-20	1-206062-2
	INDIVIDUAL	8	.62±.00	#5-20	1-206062-1
	SMALL PACK	8	.38±.00	#5-20	1-206062-0
	AMP BRAZIL USE ONLY	INDIVIDUAL	12mm <sup>+0</sup> <sub>-.8</sub>	3mm-20	5 206062-9
	AMP BRAZIL USE ONLY	INDIVIDUAL	10mm <sup>+0</sup> <sub>-.8</sub>	3mm-20	5 206062-8
4	BULK	6	.50±.00	#5-20	206062-4
	INDIVIDUAL	8	.50±.00	#5-20	206062-3
4	BULK	8	.38±.00	#5-20	206062-2
	INDIVIDUAL	8	.38±.00	#5-20	206062-1
	PACKAGING	SCREW FINISH	SCREW LENGTH	SCREW TYPE	PART NUMBER

THIS DRAWING IS A CONTROLLED DOCUMENT.		DWN A GRAFF 4/29/91	Tyco Electronics Corporation Harrisburg, PA 17105-3608	
DIMENSIONS: INCHES		CHK W.G.LENKER 7-22-92	NAME CABLE CLAMP KIT, STANDARD, SHELL SIZE 11, CPC	
TOLERANCES UNLESS OTHERWISE SPECIFIED:		APVD -	PRODUCT SPEC -	
0 PLC ± -		APPLICATION SPEC -	SIZE A3	CAGE CODE 00779
1 PLC ± -		WEIGHT -	DRAWING NO C-206062	RESTRICTED TO -
2 PLC ± -		CUSTOMER DRAWING		
3 PLC ± -		SCALE NTS		
4 PLC ± -		SHEET 1 OF 1		
ANGLES ± -		REV U		
FINISH -				