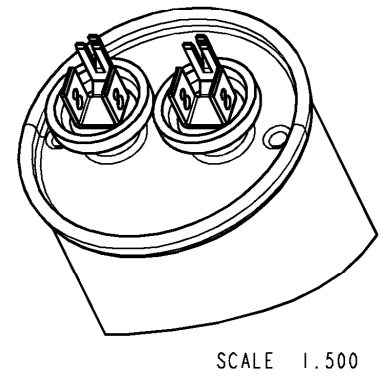
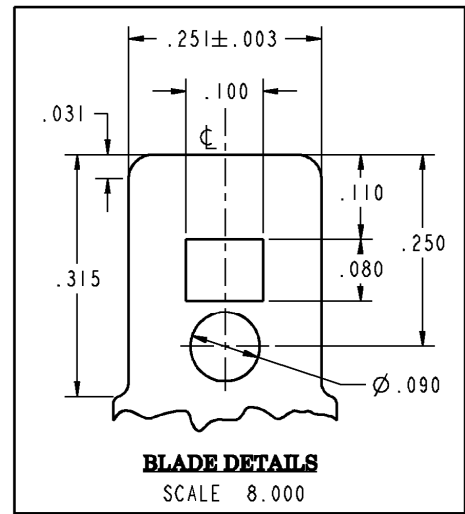
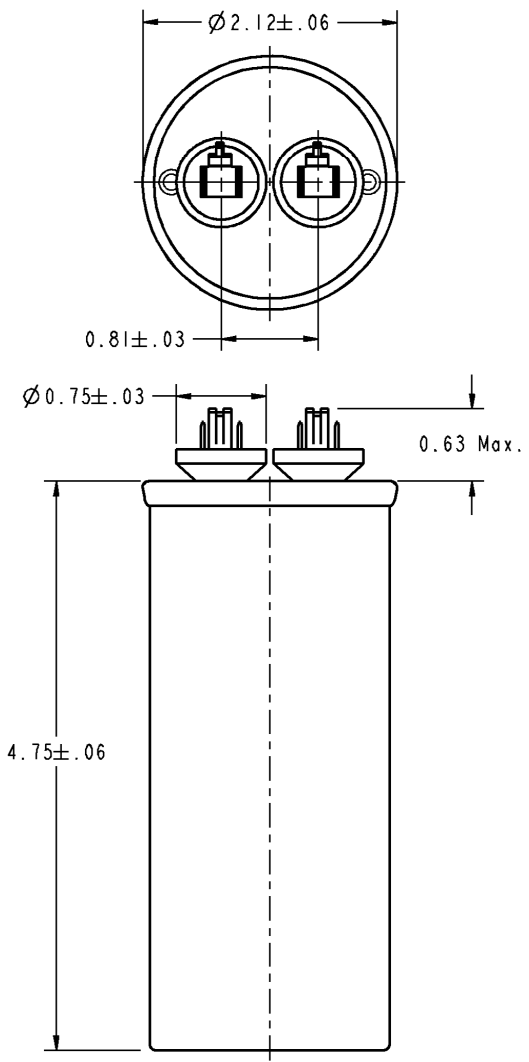


**RBC PROPRIETARY AND CONFIDENTIAL INFORMATION**  
 This document is the property of REGAL-BELOIT CORPORATION ("RBC") including its subsidiaries and divisions and contains proprietary information of RBC. This document is loaned on the express condition that neither it nor the information contained therein shall be disclosed to others without the express written consent of RBC, and that the information shall be used by the recipient only as approved expressly by RBC. This document shall be returned to RBC upon its request. This document may be subject to certain restrictions under U.S. export control laws and regulations.

REVISIONS			
REV.	DESCRIPTION	DATE	APPROVED

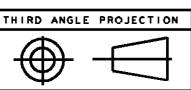
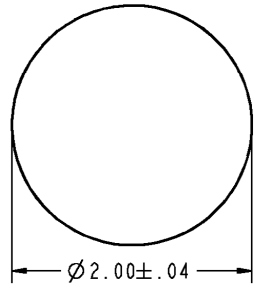
D  
C  
B  
A



**SPECIFICATIONS :**

"GEM-III Capacitors are manufactured with High Grade Metallized Polypropylene Film"

Main Capacitance	: 48.00µF ± 1.5%
Secondary Capacitance	: NIL
Volts	: 330AC
Leakage Current	: 30µA Max.
Frequency	: 50/60 HZ
Operating Temperature	: -40 DEG C TO 90 DEG C
Storage Temperature	: -40 DEG C TO 90 DEG C
Operative Life	: 60,000 HRS WITH 94% SURVIVAL
Dissipation Factor	: 0.1% MAX.
Case Material	: ALUMINIUM
Cover Material	: STEEL TIN PLATED
Terminals	: 0.250"x0.031" Quick Connect Blades
Dielectric Fluid	: DIELEKTROL VI
Internal Protection	: UL RECOGNIZED PRESSURE SENSITIVE INTERRUPTER



FOR ADDITIONAL INFO REFER TO:	SIGNATURES	DATE
APPLIED PRACTICES	MODEL AVL	08/02/07
UNLESS OTHERWISE SPECIFIED DIMENSIONS ARE IN INCHES	DETAIL AVL	08/02/07
TOLERANCE ON:	CHECKED HV	08/02/07
1 PL DECIMALS ± 0.1	ENGRG	-
2 PL DECIMALS ± 0.01	MFG	-
3 PL DECIMALS ± 0.001	QUALITY	-
ANGLES ± 0.5	ISSUED	-
FRACTIONS ±		
FINISH	✓	
MATERIAL	SOLID MODEL: CAPACITOR_ASSEMBLY	

**REGAL-BELOIT CORPORATION**

**GEM III CAPACITOR  
OUTLINE DRAWING**

SIZE	DRAWING	REV
C	27L456	0

SCALE: 1.250 REF. No. SHEET 1 OF 1