

Surface Switches



Options available

- Less Enclosure - add LE to Catalogue Number e.g. 56SW320 becomes 56SW320LE.
- Resistant Orange - add RO to Catalogue Number e.g. 56SW320 becomes 56SW320,RO
- Resistant White - add RW to Catalogue Number e.g. 56SW320 becomes 56SW320,RW
- Chemical Grey - add CG to Catalogue Number e.g. 56SW320 becomes 56SW320,CG.
- 56SW320CX - replaces 56SW320C control switch

56 Series Surface Switches

56 Series Surface Switches are available from 250V, 10A to 500V 63A. They incorporate a positive, rotary switch action. 'ON' and 'OFF' positions are clearly marked and there is provision for two padlocks. Hole diameter is 8mm.

If locking is required in the 'ON' position, simply drill a hole where necessary.

All 63A switches come with the facility to fit auxiliary micro switch 56SWAUX15.

To provide easier wiring of our 56 Series Three Pole 63A Switch, a deeper two gang enclosure and centrally mounted option (Cat. No. 56SW363/2), allows additional room for wiring associated with this application.

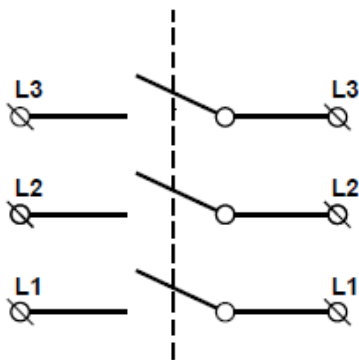
Earth and neutral connectors accommodating 3 x 6mm² cables are supplied with all products above 20A.

56SW332: 3 Pole, 32A, 500V

| I_e (A) Utilisation Category | | | M Rating |
|--------------------------------|-------|-------|----------|
| AC21A | AC22A | AC23A | |
| 32 | 32 | 28 | M180 |

| Conductor Terminal size in mm ² | | IP Rating | O/A Dims. (H) x (W) x (D) |
|--|-----------|-----------|---------------------------|
| Min. | Max/Cond. | | |
| 4 | 16 | 66 | 107x101x108 |

Switching Wire Diagram

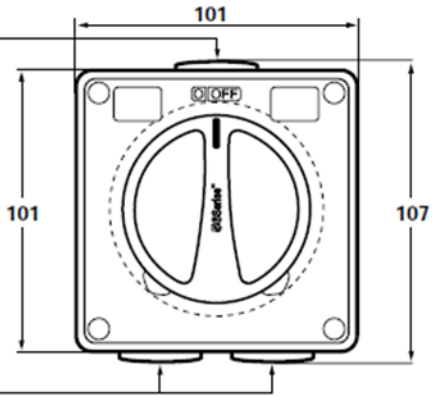


Switch terminals are not identified
 Switch is backwired
 Conductor termination is plain screw type

| | | | | | |
|-----------|---------|-----------|--------|--------|---------|
| 56SWH | 66CV450 | 56SW363/2 | 56C610 | 56C432 | 56C550 |
| 56SWH 325 | 66CV463 | 56SW363 | 56C710 | 56C532 | 56CV540 |
| 56SWH 363 | | 56SW350 | 56C720 | 56C450 | 56CV550 |
| 56SWH 340 | | 56SW332 | 56C440 | 56C540 | 56SW310 |
| 56SWH 380 | | | | | 56SW320 |

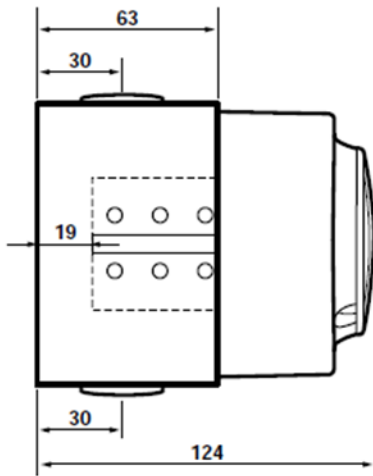
Dimensional Drawings

1 x M25
CONDUIT
ENTRY



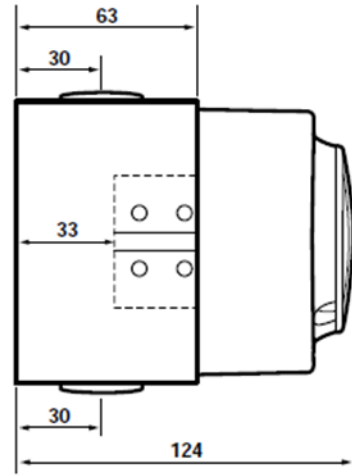
2 x M25
CONDUIT
ENTRIES

FRONT COMPLETE



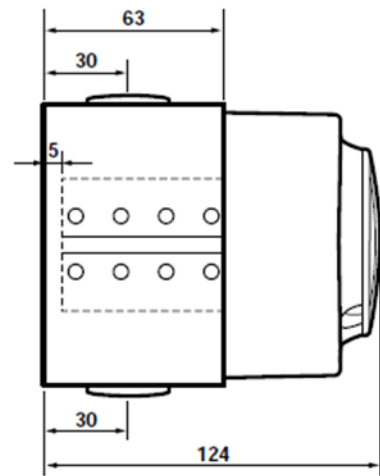
56SW320R

SIDE COMPLETE



56SW220C0

SIDE COMPLETE



56SW420C0

SIDE COMPLETE