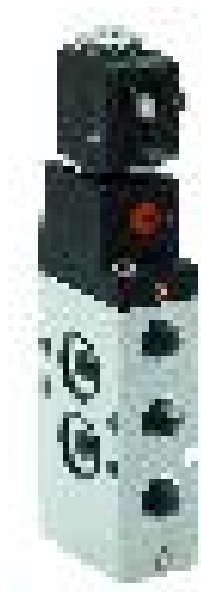


3/2-way solenoid valve - Series NA

Product code: NA34N-15-02

Datasheet creation date: 10/12/2025 08:34

Check the most updated document online [click here](#)

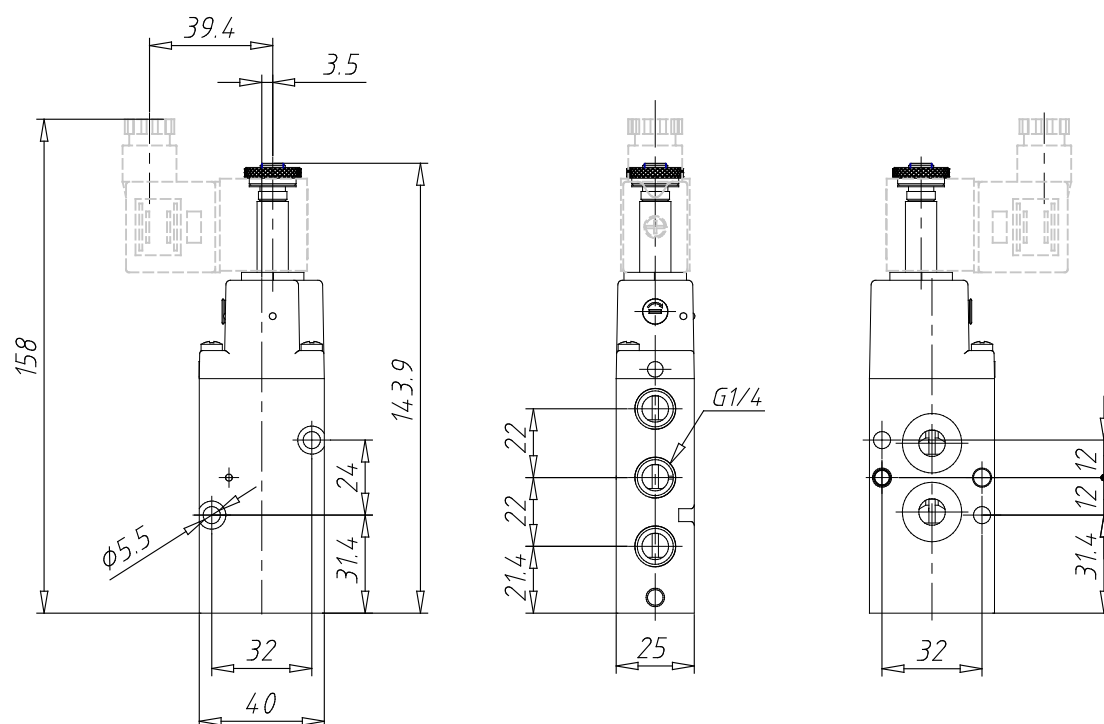


■ TECHNICAL DATA

Mod.	NA34N-15-02
------	-------------

3/2-way solenoid valve - Series NA

Product code: NA34N-15-02



DIMENSIONS

Mod.	NA34N-15-02
------	-------------