



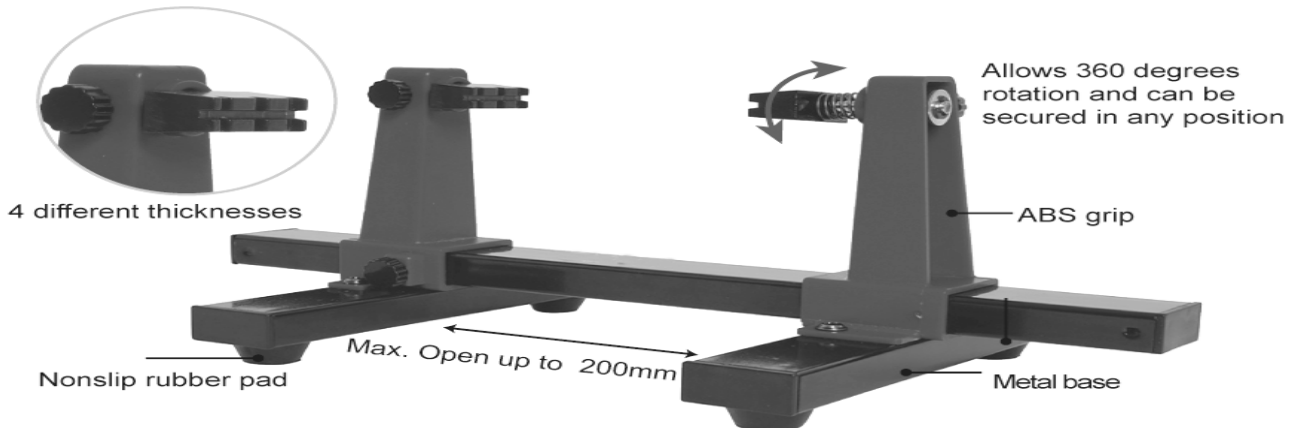
ENGLISH

User Manual

RS Pro Adjustable Soldering Clamp Holder

Stock No: 146-6440

Thank you very much for purchasing 146-6440 Adjustable Soldering Clamp Holder. This product is ideal for PCB soldering and de-soldering rework. Before using, read the following instructions:



Features and Specifications

- Rigid metal structure with stabilizing rubber pad, perfect for your project
- The 2 adjustable grip retractable stand to accommodate various board sizes up to 200 mm width and 4 different thickness
- The clamps allow 360° rotating and can be secured in any position, make your soldering projects easier and efficient
- Lightweight design, easy to carry

<u>Item</u>	<u>Specification</u>
Materials	ABS arm + metal base
Max. circuit board size	20 x 14 cm
Circuit board thick	1.2 / 1.8 / 2.0 / 3.0 mm
Dimensions	30 x 16.5 x 12.5 cm
Weight	450 g
Individual packing	Colour Box

How to use

- Adjust the knob on the bottom side to get the target length of your PCB and then fix the knobs
- Put your circuit board into a proper clamping mouth
- Adjust the knob on the top side to get your target angle and then fix the knobs
- Start soldering on your circuit board freely