



Brand of NTN Group

Technical data

MUCFPL204

Bearing units

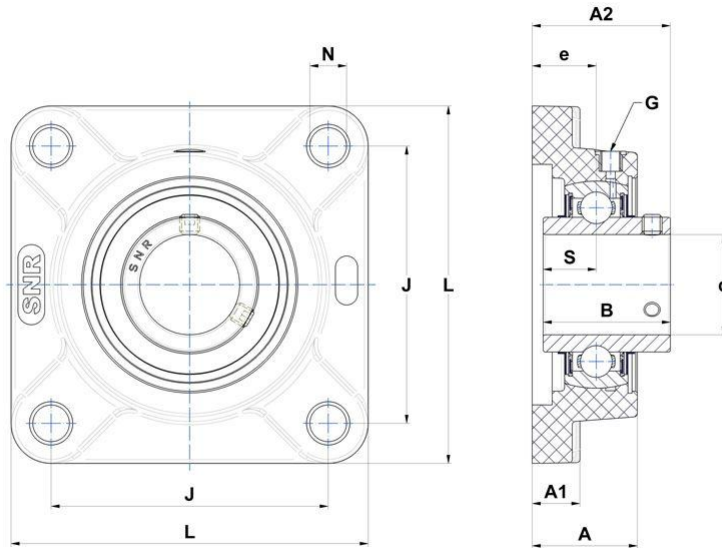


Thermoplastic housing, stainless steel insert ball bearing with socket set screws, seal with slinger, food grease

KIT CONTENT

MUC204FD, FPL204

VISUAL (S)



PRODUCT DEFINITION

Brand	SNR
A - Housing height	27,8 mm
A1 - Housing foot height / flange height	13,4 mm
A2 - Total height from mounting surface	36,3 mm
B - Width of Inner Ring	31 mm



NTN Europe

1 rue des Usines · BP 2017 · 74010 Annecy Cedex · France · Tel. +33 (0)4 50 65 30 00
 S.A. au capital de 322 639 919 € · RCS ANNECY B 325 821 072 · Id. Fiscale : FR 48 325 821 072
 SIRET 325 821 072 00015 · Code APE 2815 Z · Code NACE 28.15

PRODUCT DEFINITION

d - Shaft diameter	20 mm
e - Distance mounting surface to bearing center	18 mm
G - Grease fitting	1/4"-28
J - Mounting holes distance	63,5 mm
L - Housing width / diameter	86 mm
N - Mounting hole dimension	11 mm
S - Distance front side/bearing centre	12,7 mm

PRODUCT PERFORMANCE

C - Dynamic load rating	10900000 mN
C0 - Static load rating	5300000 mN
Operating temperature min.	253,15 °K
Operating temperature max.	373,15 °K

OTHER FEATURES

Mass	0,3 kg
Recommended tightening torque for set screw	3.9 N-m

