

SENCITY® Spot-S Wi-Fi Antenna

1356.17.0077

Properties

- Compact Industrial antenna for Wi-Fi bands between 5150 and 5975 MHz
- Gain of 14 dBi with Vertical polarisation
- Half power beamwidth of 35° (vertical) and 40° (Horizontal)
- Wall and Mast mounting brackets included
- Integrated N female interface

**Electrical bands**


	Band 1
Name	Wi-Fi
Frequency (MHz)	5150 MHz ... 5975 MHz
Impedance	50 Ω
VSWR	1.5
Gain (dBi)	14 dBi
Halfp Beamwidth vertical	35 °
Halfp Beamwidth horizontal	40 °
Vertical Electrical Tilt	0 °
Front to back ratio	20 dB
Ambient Temperature	25 °C
Composite Power max	30 W

Ports

	Port 1
Port name	Wi-Fi
Connector	N, jack (female)
Polarization	vertical
DC grounded	Yes

SENCITY® Spot-S Wi-Fi Antenna

1356.17.0077

Connections	
Port number	Port 1
Band 1	

Mechanical data	
Weight	0.11 kg
Dimensions	101 mm x 81 mm x 36 mm (Height x Width x Depth)
Windload	front: 15 N at 160km/h, Wind Speed survival: 220 km/h

Interface and material data	
Radome material	PC (Polycarbonate)
Radome colour	RAL 7044 (grey)

Environmental data	
Operation temperature	-40 °C ... 85 °C
Storage temperature	-40 °C ... 85 °C
Transport temperature	-40 °C ... 85 °C
Environment (application)	Indoor/Outdoor
Ingress protection (IP Rating)	IP 66 / IP 67
Flammability rating	EN 45545-2
Standards	Railway EN 50155
	Railway EN 45545
	Railway NFPA130
	Railway EN 50125
	Industrie EN 60068

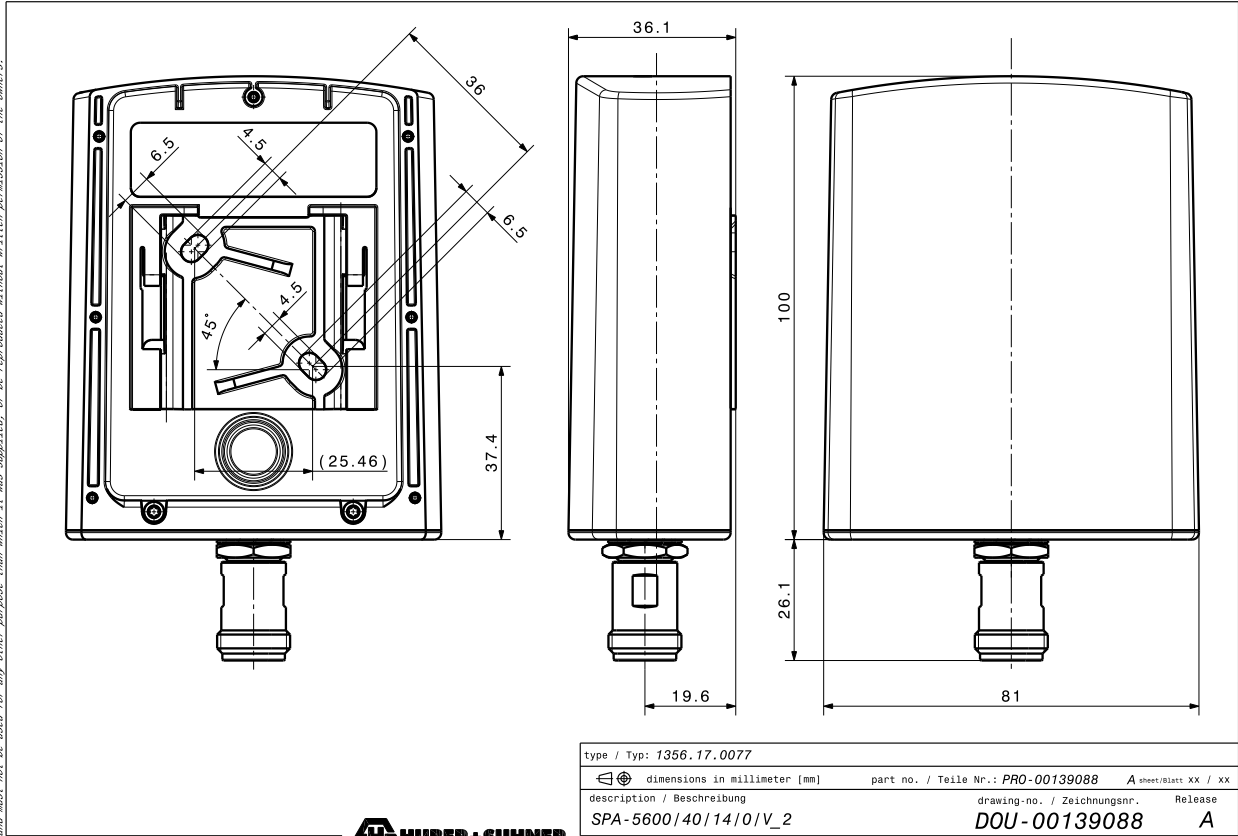
Environmental remarks
<p>FLAMMABILITY: EN 45545-2 (2013) HL3 and NFPA130 (2013), also BS 6853 and DIN 5510-2</p> <p>ENVIRONMENT: EN 50155 (2016) and EN 50125-3 (2003), also EN 60068 related</p> <p>IP RATING: IP 66 / IP 67 (IEC 60529)</p> <p>SOLAR RADIATION: EN 50125-3:2004 §4.9, 1120 W/m² for 20h</p> <p>AIR PRESSURE: EN 50125-3:2004 §4.2, Altitude Class A1 (up to 1400m) AIR PULSE PRESSURE: EN 50125-3:2004 §4.2, 1 kPa/s</p> <p>RAIN: EN 50125-3:2004 §4.6, delivery rate: 6 mm/min</p> <p>VIBRATION / SHOCK: EN 50125-3:2004 §4.13, position profile: "outside the track"</p> <p>POLLUTION: EN 50125-3:2004 §4.11, pollution levels: 4B1, 4S1</p> <p>CORROSION: MIL-F-14072 E Type 1 "exposed"</p> <p>MECHANICAL IMPACT (HAMMER IMPACT): EN 60068-2-75 (IEC 62262/2002-02 IK06)</p>

Additional Information
<p>Following Declaration of Conformity for SENCITY Spot-S antennas are available on request: * Industrial standards EN 60068 / EN 60529 / IEC 61373: Ref. DOC-0000318049 * Railway rolling stock, environmental standards EN 50155 and fire behaviour EN 45545-2k, NFPA130: Ref. DOC-0000380375 * Railway trackside, environmental standards EN 50125-3 and fire behaviour EN 45545-2: Ref. DOC-0000411396</p>

SENCITY® Spot-S Wi-Fi Antenna

1356.17.0077

Outline drawing



Diese Zeichnung ist unser geistiges Eigentum und darf ohne unsere Einwilligung weder kopiert, reproduziert, noch druckvervielfältigt oder in irgendeiner Weise veröffentlicht werden. (Art. 12 i. d. V. G.)
 This drawing is our intellectual property and may not be reproduced, copied, or otherwise published without our written permission.



HUBER+SUHNER is certified by ISO 9001, ISO 14001, ISO 45001, IATF 16949, AS/EN 9100 and ISO/TS 22163-IRIS. Waiver: Facts and figures herein are for information only and do not represent any warranty of any kind. DOCUMENT PIM-P3285 / Date of publication: 22.02.2024 / uncontrolled copy