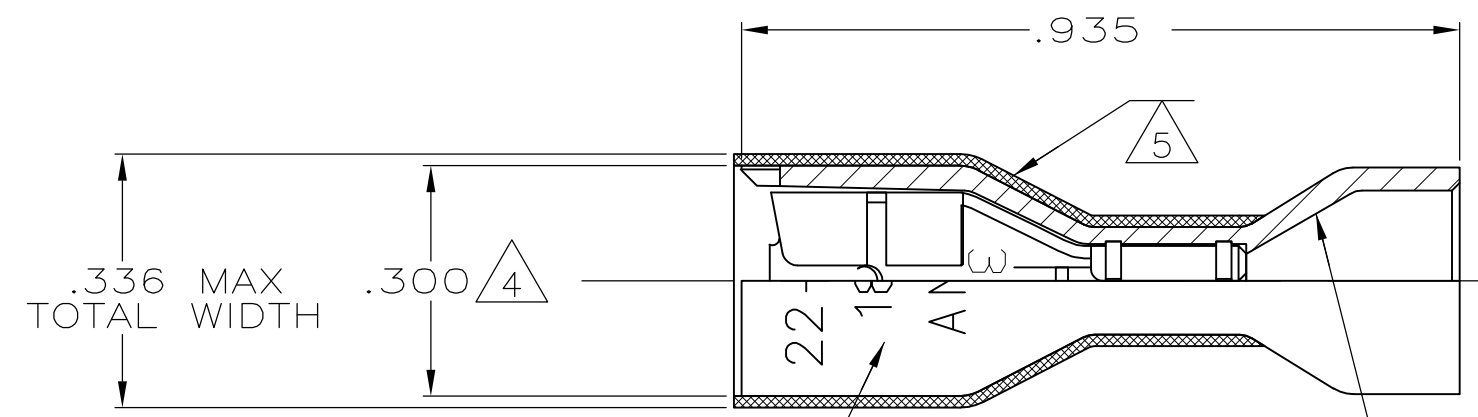
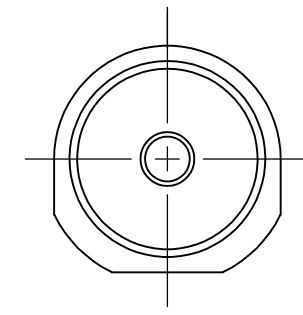
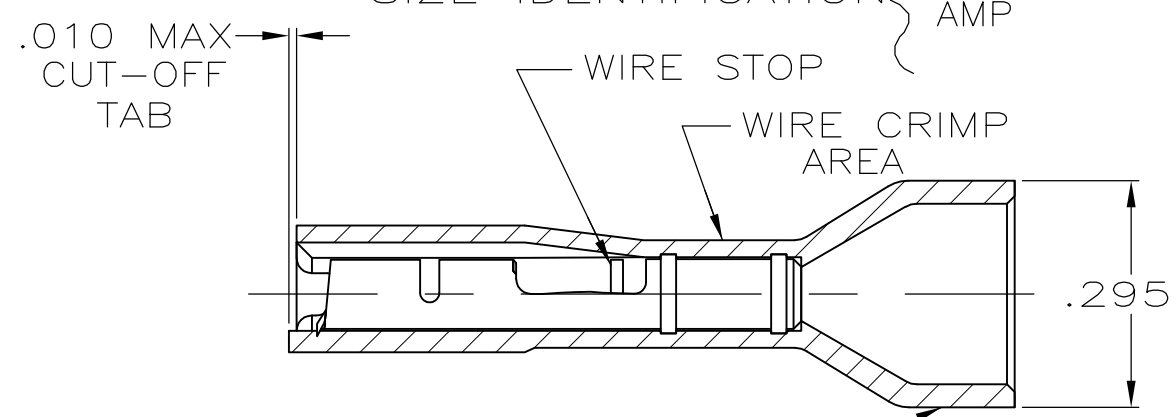
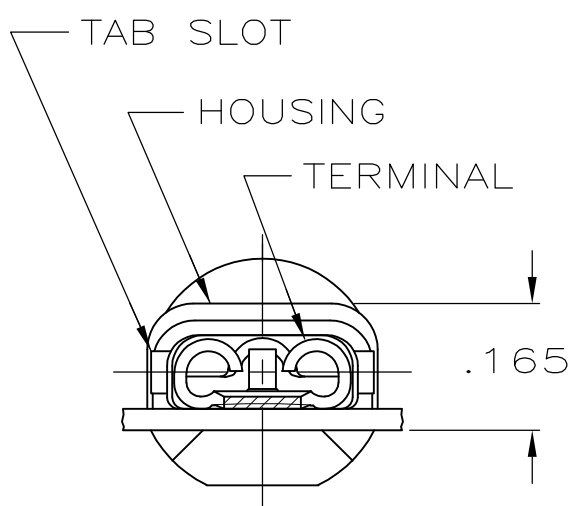


THIS DRAWING IS UNPUBLISHED. RELEASED FOR PUBLICATION  
 © COPYRIGHT - By - ALL RIGHTS RESERVED.

| LOC | DIST | REVISIONS |     |                           |         |     |      |
|-----|------|-----------|-----|---------------------------|---------|-----|------|
|     |      | P         | LTR | DESCRIPTION               | DATE    | DWN | APVD |
| AF  | 50   |           | L   | REVISED PER ECR-13-004343 | 30JUL13 | KH  | KR   |




- 1 MATES WITH .032±.001x.187 TAB
- 2 WIRE STRIP LENGTH .281
- 3 INSULATION SIZE .230 MAX DIA
- △4 DIMENSION DOES NOT INCLUDE TRIM BURR
- △5 .015 MAX CARRIER TRIM BURR PER SIDE IS ALLOWABLE IN THE SHADED AREA



INSULATION GUIDE

|   |             |
|---|-------------|
| HOUSING: NYLON, COLOR-RED TRANSLUCENT<br>RECEPTACLE: BRASS<br>TIN | 2-520275-2  |
| MATERIAL & FINISH   | PART NUMBER |

|  |  |                                |  |                        |
|--|--|--------------------------------|--|------------------------|
| THIS DRAWING IS A CONTROLLED DOCUMENT.   |  | DWN<br>P FORTNEY<br>11/7/88    |  TE Connectivity<br>RECEPTACLE ASSY, ULTRA-FAST,<br>LOOSE PIECE, .187 SERIES, 22-18 AWG |                        |
| DIMENSIONS: INCHES   |  | CHK<br>MS FEHER<br>11/9/88     |  |                        |
| TOLERANCES UNLESS OTHERWISE SPECIFIED:   |  | APVD<br>K RANDOLPH<br>11/11/88 |  |                        |
| 0 PLC ± -<br>1 PLC ± -<br>2 PLC ± -<br>3 PLC ± .015<br>4 PLC ± -<br>ANGLES ± - |  | NAME                           |  |                        |
| MATERIAL<br>SEE TABLE  |  | FINISH<br>SEE TABLE            | PRODUCT SPEC<br>108-2043   | RESTRICTED TO          |
|  |  |                                | APPLICATION SPEC<br>114-2123   | SIZE<br>A3             |
|  |  |                                | WEIGHT<br>-  | CAGE CODE<br>00779     |
|  |  |                                | CUSTOMER DRAWING   | DRAWING NO<br>C-520275 |
|  |  |                                | SCALE<br>4:1   | SHEET<br>1 OF 1        |
|  |  |                                |  | REV<br>L               |