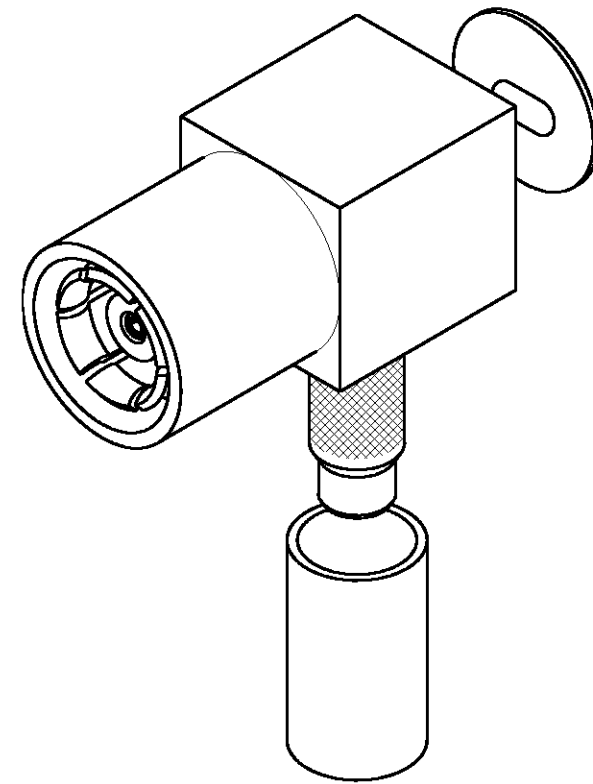
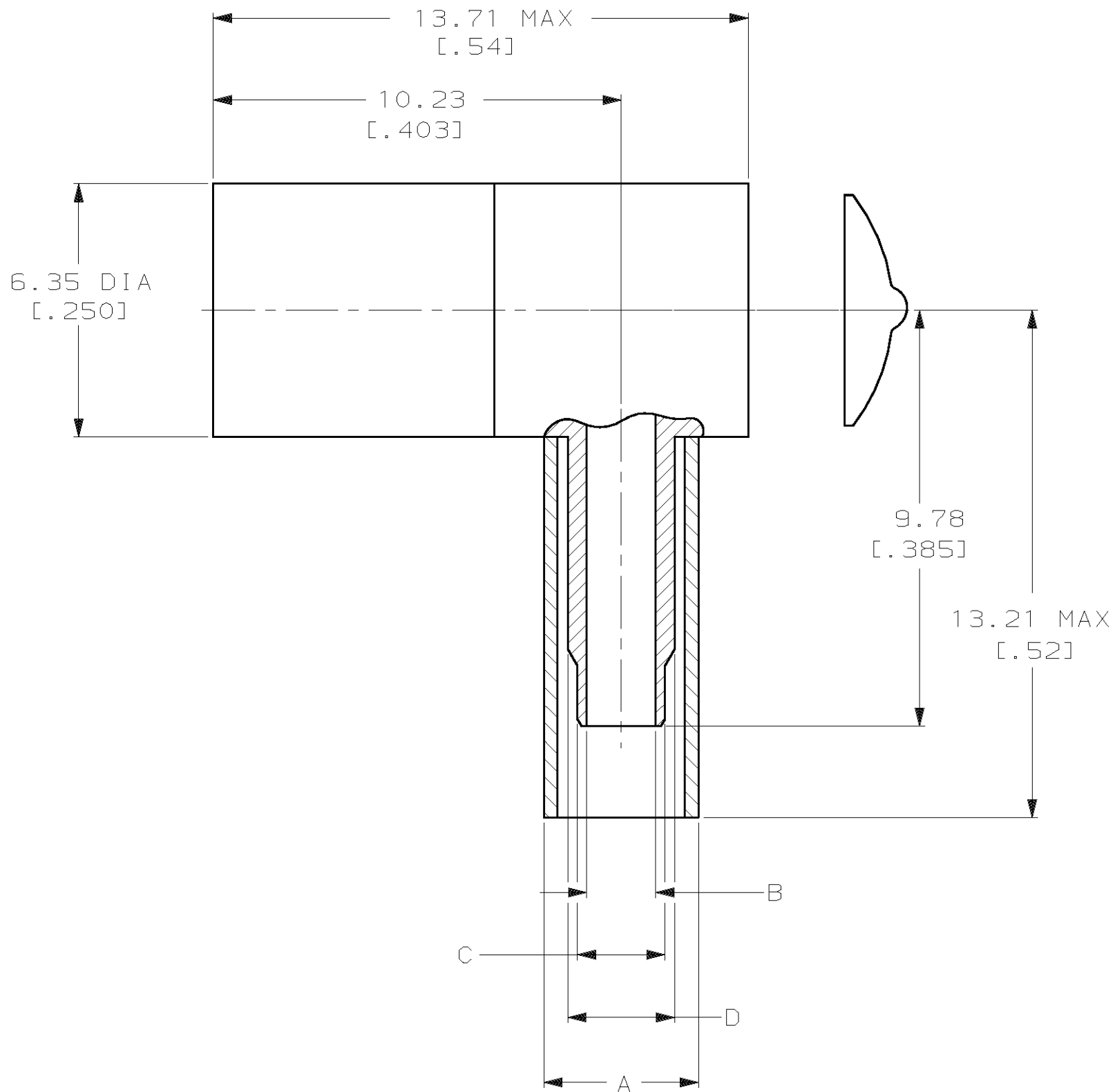
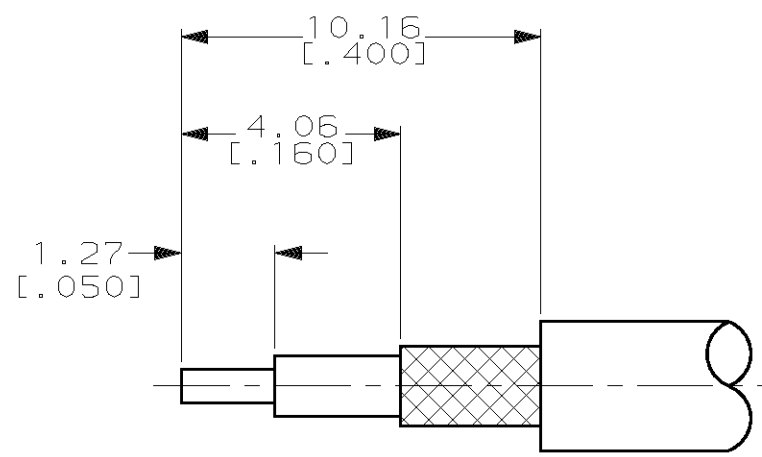


THIS DRAWING IS UNPUBLISHED. RELEASED FOR PUBLICATION  
 © COPYRIGHT 19 BY AMP INCORPORATED. ALL INTERNATIONAL RIGHTS RESERVED.

LOC	DIST	P	F	ZONE	LTR	REVISIONS	DATE	APPD
AJ	16				J	REV PER 0U20-0130-00	30AMY00	MO



ISOMETRIC VIEW



RECOMMENDED STRIP LENGTHS  
SCALE NTS

- MATERIALS:  
 BODY...BRASS PER QQ-B-626  
 INNER AND OUTER CONTACTS...  
 BERYLLIUM COPPER PER QQ-C-533  
 DIELECTRIC...TEFLON PER LP-403
- FINISH:  
 BODY AND OUTER CONTACTS...  
 GOLD PER MIL-G-45204 OVER  
 NICKEL PER QQ-N-290.  
 CENTER CONTACT...GOLD PER MIL-G-45204  
 AT INTERFACE AND AT SOLDER END; OVER  
 NICKEL PER QQ-N-290
- FINISH:  
 BODY...NICKEL PER QQ-N-290 OVER  
 COPPER PER MIL-C-14550  
 OUTER CONTACTS...GOLD PER MIL-G-45204  
 OVER NICKEL PER QQ-N-290  
 CENTER CONTACT...GOLD PER MIL-G-45204  
 AT INTERFACE AND AT SOLDER END; OVER  
 NICKEL PER QQ-N-290
- FINISH:  
 BODY AND OUTER CONTACT...NICKEL  
 PER QQ-N-290 OVER COPPER PER  
 MIL-C-14550  
 CENTER CONTACT...GOLD PER MIL-G-45204  
 AT INTERFACE AND AT SOLDER END; OVER  
 NICKEL PER QQ-N-290
- INTERFACE PER MIL-C-39012.
- SEE I.S. SHEET 2987-9

SUPSD BY 414002-4	C	58483-1	.151	HX4-1637	2.64 [.104]	2.16 [.085]	1.70 [.067]	4.54 [.179]	3	RG 174,188,316 (ALL DBL SHIELDED)	1-414002-0
	A	58483-1	.105	HX4-1637	1.98 [.076]	1.37 [.055]	0.96 [.040]	3.86 [.152]	4	RG 178,196	414002-9
	A	58483-1	.105	HX4-1637	1.98 [.076]	1.37 [.055]	0.96 [.040]	3.86 [.152]	3	RG 178,196	414002-8
SUPSD BY 414002-8	A	58483-1	.105	HX4-1637	1.98 [.076]	1.37 [.055]	0.96 [.040]	3.86 [.152]	2	RG 178,196	414002-7
SUPSD BY 414363-6	C	58483-1	.151	HX4-1637	2.64 [.104]	2.16 [.085]	1.70 [.067]	4.54 [.179]	4	RG 174,188,316 (ALL DBL SHIELDED)	414002-6
	B	58483-1	.128	HX4-1637	2.64 [.104]	2.16 [.085]	1.70 [.067]	3.86 [.152]	4	RG 174,188,316	414002-5
	C	58483-1	.151	HX4-1637	2.64 [.104]	2.16 [.085]	1.70 [.067]	4.54 [.179]	3	RG 174,188,316 (ALL DBL SHIELDED)	414002-4
	B	58483-1	.128	HX4-1637	2.64 [.104]	2.16 [.085]	1.70 [.067]	3.86 [.152]	3	RG 174,188,316	414002-3
	C	58483-1	.151	HX4-1637	2.64 [.104]	2.16 [.085]	1.70 [.067]	4.54 [.179]	2	RG 174,188,316 (ALL DBL SHIELDED)	414002-2
	B	58483-1	.128	HX4-1637	2.64 [.104]	2.16 [.085]	1.70 [.067]	3.86 [.152]	2	RG 174,188,316	414002-1

POSITION LETTER	AMP DIE SET	HEX SIZE	DANIELS DIE SET
	AMP PRO-CRIMPER FOR BRAID CRIMP	M 22520/5-01 FOR BRAID CRIMP	
TOOLING INFORMATION			

D DIA	C DIA	B DIA	A DIA	NOTES	CABLE	PART NO
-------	-------	-------	-------	-------	-------	---------

DO NOT SCALE PRINT.  
 UNLESS SPECIFIED  
 DIMENSIONS IN mm [INCHES]  
 TOLERANCES ON:  
 2 PLC DEC ± 0.25 [.010]  
 3 PLC DEC ± 0.130 [.005]  
 ANGLES ± 1°

MATERIAL  
SEE NOTES

FINISH  
SEE NOTES

DR	11/8/90
CHK	11/8/90
APPD	11/9/90
APPD	1/28/91
PRODUCT SPEC	
APPLICATION SPEC	
WEIGHT	

<b>AMP</b> AMP Incorporated Harrisburg, PA 17105-3608		
NAME PLUG, RTANG CRIMP, HEX CRIMP, SMB		
SIZE	CAGE CODE	DRAWING NO
C	00779	414002
SCALE	8:1	SHEET
		1 OF 1

