

## Rod ends, female thread; 2nd generation: KBRM CL and KBLM CL



- Design with metal sleeve for higher torque strength available
- Dimensional series K according to standard DIN ISO 12240



Simple assembly due to the hexagonal body and the integrated lock nut.

### Technical data

Part No.		Max. static tensile strength		Max. static radial load		Min. thread depth	Max. torque strength	Max. torque through ball		Weight
Right-hand thread	Left-hand thread	Short term [N]	Long term [N]	Short term [N]	Long term [N]	Thread [mm]	Inner threading [Nm]	Standard without MH [Nm]	Standard with MH [Nm]	[g]
KBRM-06 CL	KBLM-06 CL	1,400	700	300	150	8	0.75	10	15	4.5
KBRM-08 CL	KBLM-08 CL	2,100	1,050	500	250	11	2.0	12	40	8.6
KBRM-10 CL	KBLM-10 CL	3,100	1,550	800	400	13	3.0	20	50	14.1

### Spherical ball materials to choose ► Page 693



RKM:  
low-cost



JKM: low  
moisture  
absorption

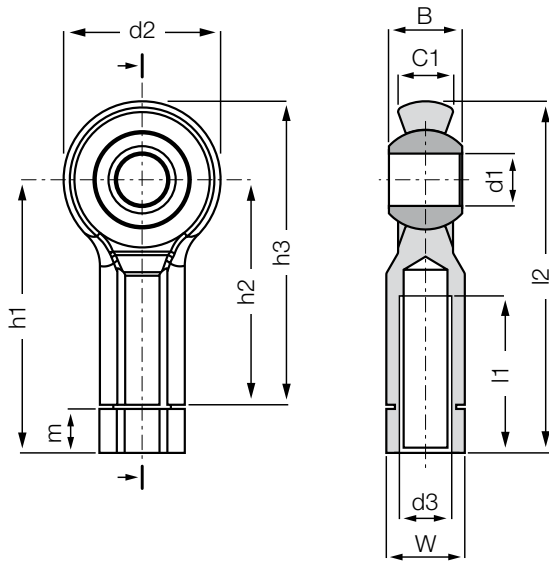


W300: standard  
spherical bearing  
with metal sleeve



J4KM: low-cost  
and low moisture  
absorption

## Rod ends, female thread; 2nd generation: KBRM CL and KBLM CL



### Order key

Type	Size	Version	Options
------	------	---------	---------

**K B ... M - 06 CL**

Dimensional series K	Housing (female thread)	Thread	Metric	Thread L = left-hand thread R = right-hand thread
Inner-Ø [mm]	2nd generation			



### Material:

Housing: **igumid G** ▶ Page 1235

Spherical ball: **iglidur® W300** ▶ Page 121

More spherical ball materials on request

▶ Page 693

## Dimensions [mm]

Part No.		d1	d2	d3	W	B		C1	h3	h1	h2	l1	l2	m	Max.	
		E10				without	with									pivot angle
Right-hand thread	Left-hand thread					MH	MH									
<b>KBRM-06 CL</b>	<b>KBLM-06 CL</b>	06	20	M06	SW10	9	9.2	7	40	36.5	30	20	46.5	5.7	40°	
<b>KBRM-08 CL</b>	<b>KBLM-08 CL</b>	08	24	M08	SW13	12	12.2	9	48	44.3	36	25	56.3	7.5	35°	
<b>KBRM-10 CL</b>	<b>KBLM-10 CL</b>	10	30	M10	SW15	14	14.2	10.5	58	52.2	43	30	67.2	8.4	35°	

Rod ends can be ordered in metric dimensions **with metal insert** with the addition of **MH** after the part numbers listed here. Example: **KBRM-10 CL MH (Inner-Ø: 10 mm)**.

For another spherical bearing material than iglidur® W300, please add **J** or **R** to the part number. Example: **KBRM-10 CL J**.