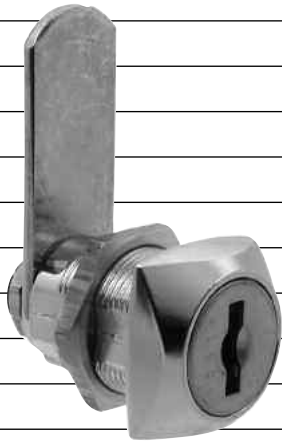
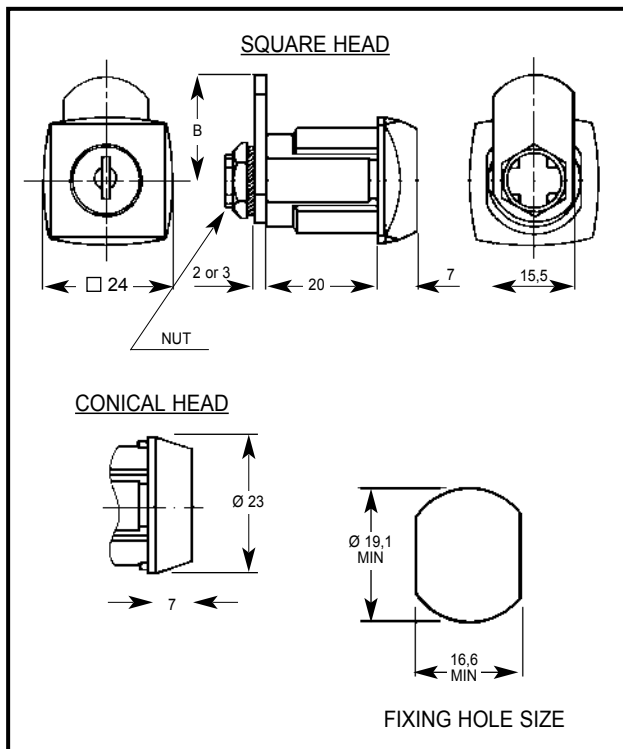


Camlock 20mm



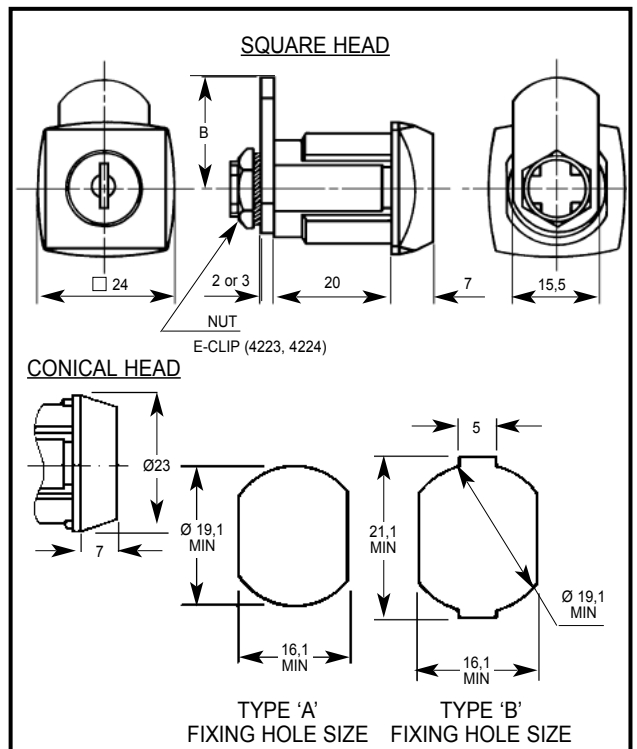
0801



PRODUCT REFERENCE NUMBERS			
KEY SERIES	COMBINATIONS	NUT FIXING	HORSESHOE CLIP FIXING
STANDARD VERSION			
45-47 \mathbb{M}	2000	0801 (0805)	0803 (0807)
SHUTTERED VERSION*			
45-47 \mathbb{M}	2000	0851 (0855)	0853 (0857)
MAXIMUM PANEL THICKNESS: 12mm ACROSS FLATS ONLY			
\mathbb{M} = MASTER KEY SYSTEM: SUPPLIED TO ORDER ONLY			
STANDARD MOVEMENTS: 1, 2, 3, 4			
STANDARD FINISH: BRIGHT CHROME			
*THE SHUTTERED BARREL CAN BE PASSIVATED AND GREASED IF REQUIRED TO PROVIDE GREATER PROTECTION WHEN LOCK IS USED IN OUTSIDE APPLICATIONS			
REF No.s IN () REFER TO LOCKS WITH A CONICAL HEAD			



0802/4223/4224



PRODUCT REFERENCE NUMBERS				
KEY SERIES	COMBINATIONS	FIXING HOLE	NUT FIXING	HORSESHOE CLIP FIXING
STANDARD VERSION				
45-47 \mathbb{M}	2000	'A'	0802 (0806)	0804 (0808)
45-47 \mathbb{M}	2000	'B'	0812 (0816)	0814 (0818)
25-27 \mathbb{M}	2000	'B'	(4224) (4223) (F353)	
SHUTTERED VERSION*				
45-47 \mathbb{M}	2000	'A'	0852* (0856)*	0854* (0858)*
45-47 \mathbb{M}	2000	'B'	0862* (0866)*	0864* (0868)*
MAXIMUM PANEL THICKNESS: NUT FIXING 12mm				
HORSESHOE CLIP FIXING 12mm ACROSS FLATS ONLY.				
\mathbb{M} = MASTER KEY SYSTEM: SUPPLIED TO ORDER ONLY				
STANDARD MOVEMENTS: 1, 2, 3, 4, (8 - 0802 ONLY)				
STANDARD FINISH: BRIGHT CHROME				
*THE SHUTTERED BARREL CAN BE GREASED IF REQUIRED TO PROVIDE GREATER PROTECTION WHEN LOCK IS USED IN OUTSIDE APPLICATIONS.				
REF. No. IN () REFERS TO LOCKS WITH A CONICAL HEAD.				

LOWE & FLETCHER LTD

MOORCROFT DRIVE, WEDNESBURY, WEST MIDLANDS, ENGLAND WS10 7DE.
 TELEPHONE: 0121 505 0400. FAX: 0121 505 0420. E-MAIL: sales@lowe-and-fletcher.co.uk WEB SITE: www.lowe-and-fletcher.co.uk