

Features

- Heavy duty stainless steel and rubber construction.
- Spring-loaded handle returns the lifting handle to the closed position and reduces the effects of vibration.
- Suitable for outdoor use

RS PRO Drawer Handles & Cabinet Handles

RS Stock No.: 0335161



RS Professionally Approved Products bring to you professional quality parts across all product categories. Our product range has been tested by engineers and provides a comparable quality to the leading brands without paying a premium price.

Product Description

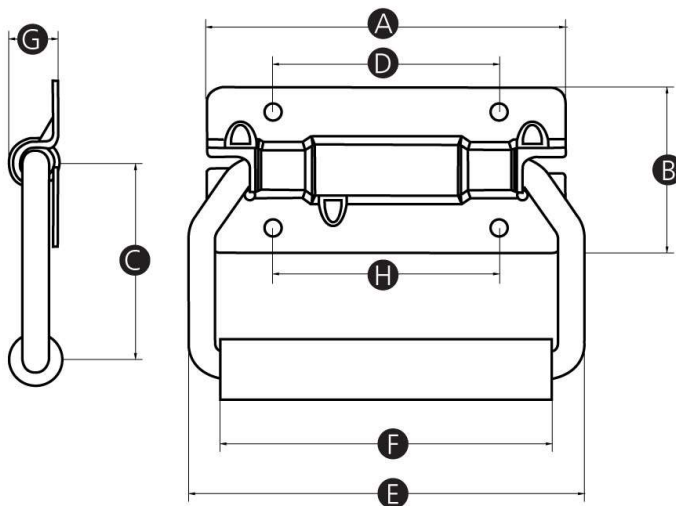
A high quality folding, spring-loaded handle for cases, drawers, and industrial enclosures. The 304 stainless steel and heavy duty rubber handle ensures strength, durability and high corrosion resistance.

General Specifications

Length	108mm
Material	Stainless steel and rubber
Hole size	5mm
Colour	Silver and black
Application	Cases, drawers and industrial enclosures

Mechanical Specifications

A	108
B	50
C	59
D	68
E	119
F	100
G	14.5
H	68
Hole size	5.2



Similar Products

Stock No.	Brand	Product Name	Length
0335159	RS PRO	Stainless Steel Sprung Folding Handle	102mm
0335161	RS PRO	Stainless Steel Sprung Folding Handle	108mm