

2203663-5 ✓ ACTIVE



Get .64 Connector System

TE Internal #: 2203663-5

12 V, 18 Position, Automotive Housing for Female Terminals, Wire-to-Board / Wire-to-Wire, 2.54 mm [.1 in] Centerline, Get .64

Connector System

[View on TE.com >](#)

Automotive Parts > Automotive Connectors > Automotive Housings > GET .64 CONNECTOR SYSTEM, RECEPT AND TAB



Nominal Voltage Architecture: 12 V

Connector & Housing Type: **Housing for Female Terminals**

Number of Positions: **18**

Sealable: **Yes**

Operating Temperature Range: **-40 – 85 °C [-40 – 185 °F]**

[All GET .64 CONNECTOR SYSTEM, RECEPT AND TAB \(62\)](#)

Features

Product Type Features

Mixed & Hybrid Connector	No
Connector Shape	Rectangular
Connector & Housing Type	Housing for Female Terminals
Sealable	Yes
Primary Locking Feature	Integrated in Housing
Connector System	Wire-to-Board, Wire-to-Wire
Connector & Contact Terminates To	Wire & Cable

Configuration Features

Blank Cavity Position	18
Number of Positions	18
Number of Rows	2

Electrical Characteristics



Operating Voltage	12 VDC
-------------------	--------

Nominal Voltage Architecture	12 V
------------------------------	------

Body Features

Cable Exit Angle	180 °
------------------	-------

Primary Product Color	Black
-----------------------	-------

Connector & Keying Code	A
-------------------------	---

Contact Features

Contact Size	.64mm
--------------	-------

Contact Type	Receptacle
--------------	------------

Mating Tab Width	.64 mm[.025 in]
------------------	-----------------

Contact Current Rating (Max)	6.5 A, 8.2 A
------------------------------	--------------

Mechanical Attachment

Strain Relief	Without
---------------	---------

Terminal Position Assurance	Yes
-----------------------------	-----

Mating Alignment Type	Keyed
-----------------------	-------

Mating Alignment	With
------------------	------

Connector Mounting Type	Cable Mount (Free-Hanging)
-------------------------	----------------------------

Housing Features

Housing Material	PA 66 GF35
------------------	------------

Centerline (Pitch)	2.54 mm[.1 in]
--------------------	----------------

Dimensions

Row-to-Row Spacing	2.54 mm[.1 in]
--------------------	----------------

Product Width	31.42 mm[1.23 in]
---------------	-------------------

Product Length	34.95 mm[1.37 in]
----------------	-------------------

Connector Height	25.1 mm[.988 in]
------------------	------------------

Usage Conditions

Operating Temperature Range	-40 – 85 °C[-40 – 185 °F]
-----------------------------	---------------------------

Operating Temperature (Max)	85 °C[185 °F]
-----------------------------	---------------

Operation/Application

Circuit Application	Signal
---------------------	--------

Packaging Features

Packaging Quantity	375
--------------------	-----



Packaging Method	Box
Other	
Connector Position Assurance Capable	No

Product Compliance

[For compliance documentation, visit the product page on TE.com>](#)

EU RoHS Directive 2011/65/EU	Compliant
EU ELV Directive 2000/53/EC	Compliant
China RoHS 2 Directive MIIT Order No 32, 2016	有害物质含量符合标准要求 No Restricted Substance(s) Above Threshold
EU REACH Regulation (EC) No. 1907/2006	Current ECHA Candidate List: JUNE 2025 (250) Candidate List Declared Against: JAN 2025 (247) SVHC > Threshold: Dodecamethylcyclhexasiloxane (D6) (.5% in M-10107-1) Decamethylcyclopentasiloxane (D5) (.5% in Component Part) Octamethylcyclotetrasiloxane (D4) (.5% in 27520056302) Article Safe Usage Statements: Wash thoroughly after handling. Recycle if possible and dispose of the article by following all applicable governmental regulations relevant to your geographic location.
Halogen Content	Low Halogen - Br, Cl, F < 900 ppm per homogenous material. Also BFR/CFR/PVC Free
Solder Process Capability	Not applicable for solder process capability

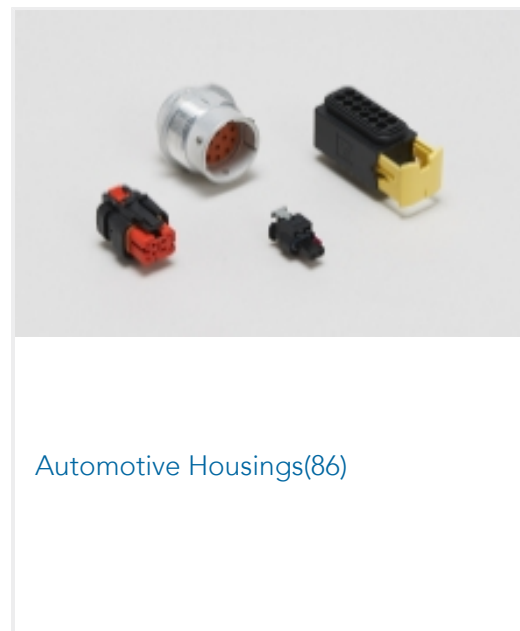
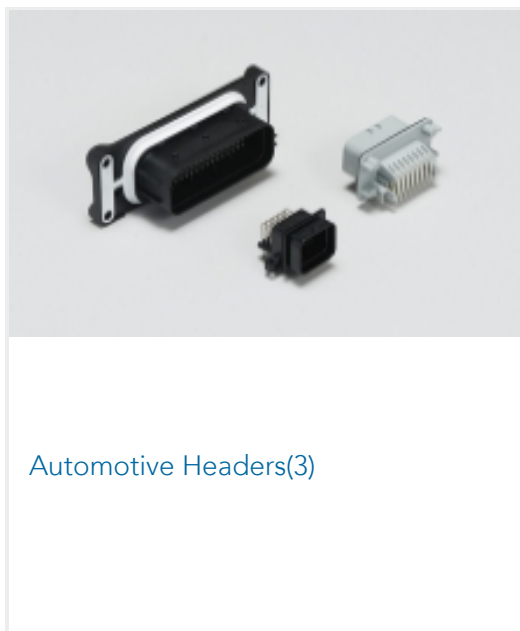
Product Compliance Disclaimer

This information is provided based on reasonable inquiry of our suppliers and represents our current actual knowledge based on the information they provided. This information is subject to change. The part numbers that TE has identified as EU RoHS compliant have a maximum concentration of 0.1% by weight in homogenous materials for lead, hexavalent chromium, mercury, PBB, PBDE, DBP, BBP, DEHP, DIBP, and 0.01% for cadmium, or qualify for an exemption to these limits as defined in the Annexes of Directive 2011/65/EU (RoHS2). Finished electrical and electronic equipment products will be CE marked as required by Directive 2011/65/EU. Components may not be CE marked. Additionally, the part numbers that TE has identified as EU ELV compliant have a maximum concentration of 0.1% by weight in homogenous materials for lead, hexavalent chromium, and mercury, and 0.01% for cadmium, or qualify for an exemption to these limits as defined in the Annexes of Directive 2000/53/EC (ELV). Regarding the REACH Regulation, the information TE provides on SVHC in articles for this part number is based on the latest European Chemicals Agency (ECHA) 'Guidance on requirements for substances in articles' posted at this URL: <https://echa.europa.eu/guidance-documents/guidance-on-reach>

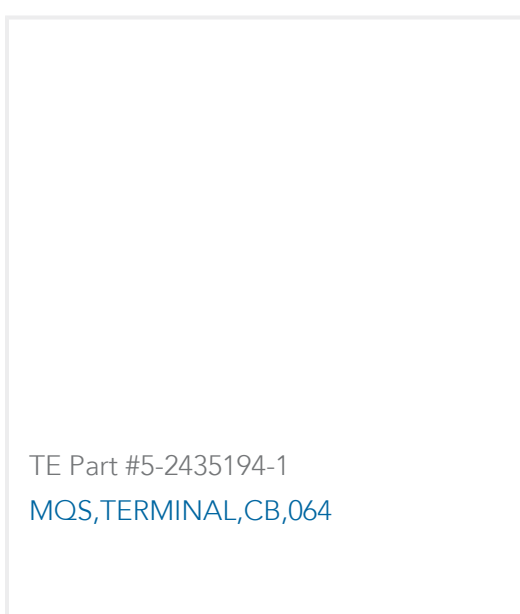
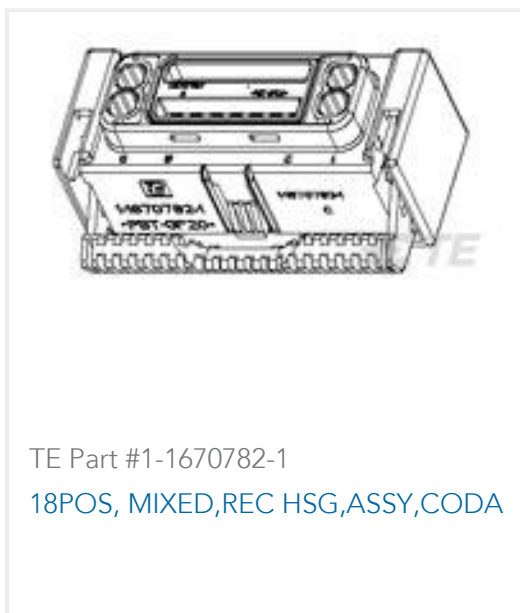
Compatible Parts



Also in the Series | **Get .64 Connector System**



Customers Also Bought





Documents

Product Drawings

[2X9 SEALED PLUG ASSY KEY A](#)

English

CAD Files

[3D PDF](#)

3D

Customer View Model

[ENG_CVM_CVM_2203663-5_A.2d_dxf.zip](#)

English

Customer View Model

[ENG_CVM_CVM_2203663-5_A.3d_igs.zip](#)

English

Customer View Model

[ENG_CVM_CVM_2203663-5_A.3d_stp.zip](#)

English

By downloading the CAD file I accept and agree to the [Terms and Conditions](#) of use.

Product Specifications

[Application Specification](#)

English