



Brand of NTN Group

## Technical data

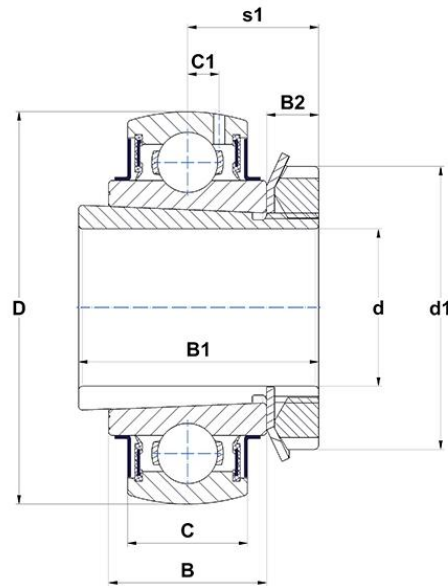
### UK307G2H

Insert bearings



Spherical outer diameter, fixing by adapter sleeve, seal with slinger

#### VISUAL (S)



#### PRODUCT DEFINITION

|   |        |
|---|--------|
| <b>Brand</b>  | SNR    |
| <b>B - Width of Inner Ring</b>  | 33 mm  |
| <b>B1 - Overall width Inner Ring</b>                                  | 43 mm  |
| <b>B2 - Width of eccentric locking collar/nut</b>                     | 9 mm   |
| <b>C - Width of Outer Ring</b>  | 25 mm  |
| <b>C1 - Distance center of OR to center of lubrication zone</b>       | 7,2 mm |
| <b>d - Shaft diameter</b>   | 30 mm  |
| <b>d1 - Outer dia of eccent. Lock. collar / nut of adapter sleeve</b> | 52 mm  |



**NTN Europe**

1 rue des Usines · BP 2017 · 74010 Annecy Cedex · France · Tel. +33 (0)4 50 65 30 00  
S.A. au capital de 322 639 919 € · RCS ANNECY B 325 821 072 · Id. Fiscale : FR 48 325 821 072  
SIRET 325 821 072 00015 · Code APE 2815 Z · Code NACE 28.15

### PRODUCT DEFINITION

|                                 |       |
|---------------------------------|-------|
| <b>D - Outer diameter of OR</b> | 80 mm |
| <b>f0 - Factor</b>              | 12.8  |

### PRODUCT PERFORMANCE

|                                   |             |
|-----------------------------------|-------------|
| <b>C - Dynamic load rating</b>    | 33500000 mN |
| <b>C0 - Static load rating</b>    | 19200000 mN |
| <b>Operating temperature min.</b> | 253,15 °K   |
| <b>Operating temperature max.</b> | 373,15 °K   |

### OTHER FEATURES

|                                   |         |
|-----------------------------------|---------|
| <b>Mass</b>                       | 0,72 kg |
| <b>Adapter sleeve designation</b> | H2307   |

### BEARING FREQUENCIES

|   |          |
|---|----------|
| <b>BPFO - Over rolling frequency on outer ring (60 rpm)</b>     | 2.63 Hz  |
| <b>BPFI - Over rolling frequency on inner (60 rpm)</b>          | 4.37 Hz  |
| <b>BSF - Over rolling frequency on rolling element (60 rpm)</b> | 3.776 Hz |
| <b>BRF - Rotational frequency - rolling element (60 rpm)</b>    | 1.888 Hz |
| <b>FTF - Rotational frequency - cage (60 rpm)</b>               | 0.376 Hz |

