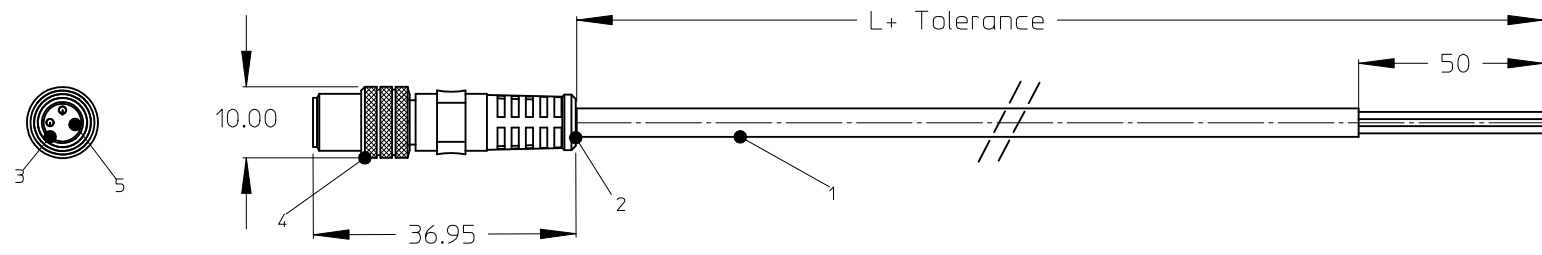


STRAIGHT PLUG



NOTES:

Temperatur Range -25°C/+80°C
 Contact Current Rating 3A
 Voltage Rating 3 poles 60V
 4-5 poles 30V
 Protection class IP 67

Cable:

E02 = 0.25mm², PVC black
 H08 = 0.25mm², PUR black
 I02 = 0.25mm², PVC grey irradiated
 P02 = 0.25mm², PUR/PVC black
 P08 = 0.25mm², PUR yellow HIFLEX

Tolerance:

≤ 1 m	+20/-10 mm
1 m - 5 m	± 25 mm
5 m - 10 m	± 30 mm
> 10 m	± 30 mm
> 20 m	± 50 mm
> 30 m	± 60 mm

5	Contact	Copper Alloy	Gold Plated
4	Coupling Nut	Brass	Ni Plated
3	Insert	PUR	---
2	Overmold	PUR	---
1	Cable	See Table	---
ITEM	Part	Material	Finish

3 WIRE		4 WIRE		5 WIRE	
Pin #.	Wire	Pin #.	Wire	Pin #.	Wire
1	Brown	1	Brown	1	Brown
2	-	2	White	2	White
3	Blue	3	Blue	3	Blue
4	Black	4	Black	4	Black
5	-	5	-	5	Grey

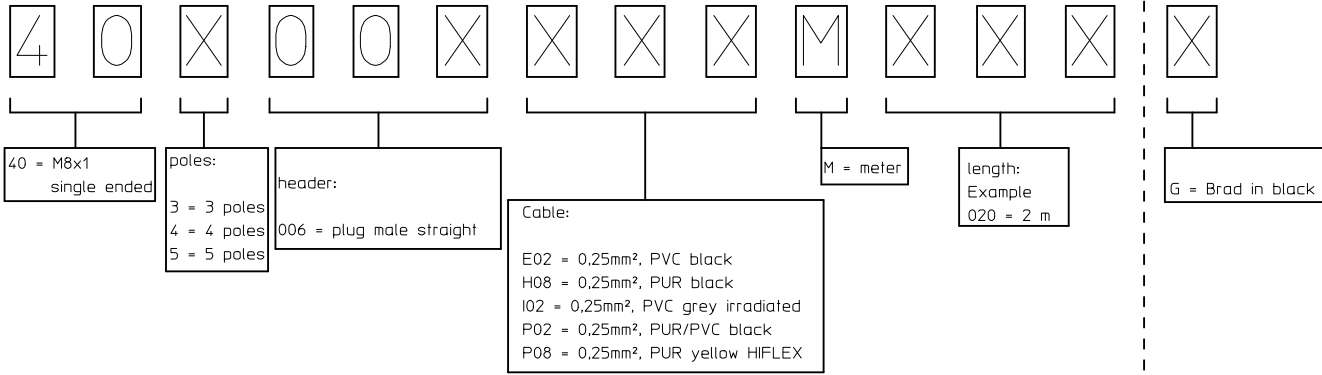
ENTER DESCRIPTION EC NO: IFG2012-0233 DRWN: APOHL 2011/08/24 CHKD: BURGER APPR: AVOGT 2012/01/18	DESCRIPTION	QUALITY SYMBOLS
	DESCRIPTION	$\nabla=0$ $\sphericalangle=0$
	REV	
	1	

GENERAL TOLERANCES (UNLESS SPECIFIED)	
mm	INCH
4 PLACES ± ---	± ---
3 PLACES ± ---	± ---
2 PLACES ± ---	± ---
1 PLACE ± 0.3	± ---
ANGULAR ± 1 °	
DRAFT WHERE APPLICABLE MUST REMAIN WITHIN DIMENSIONS	

DIMENSION STYLE	
MM ONLY	
DRAWN BY	DATE
APOHL	2011/08/24
CHECKED BY	DATE
REISSNER	2012/01/13
APPROVED BY	DATE
AVOGT	2012/01/18
MATERIAL NO.	
SEE TABLE	
SIZE	
A 4	

SCALE	DESIGN UNITS	THIRD ANGLE PROJECTION
1:1	METRIC	
TITLE		
CSE M8 XP XC MA STR XM SE UNSH NANO-CHANGE		
MOLEX INCORPORATED		
MATERIAL NO.	DOCUMENT NO.	SHEET NO.
SEE TABLE	SD-120086-002	1 OF 3
THIS DRAWING CONTAINS INFORMATION THAT IS PROPRIETARY TO MOLEX INCORPORATED AND SHOULD NOT BE USED WITHOUT WRITTEN PERMISSION		

NUMERICAL CODE (Available parts see table page 3 ff others on request.)



Special Types:

ENTER DESCRIPTION EC NO: IPG2012-0233 DRWN: APOHL 2011/08/24 CHKD: CBURGER APPR: AVOGT 2012/01/18	DESCRIPTION REV	QUALITY SYMBOLS ▽=0 ▽=0	GENERAL TOLERANCES (UNLESS SPECIFIED)		DIMENSION STYLE MM ONLY		SCALE 3:1	DESIGN UNITS METRIC	THIRD ANGLE PROJECTION			
			4 PLACES	± ---	± ---	DRAWN BY	DATE	TITLE CSE M8 XP XC MA STR XM SE UNSH NANO-CHANGE				
			3 PLACES	± ---	± ---	APOHL	2011/08/24					
			2 PLACES	± ---	± ---	CHECKED BY	DATE	MOLEX INCORPORATED DOCUMENT NO. SD-120086-002 SHEET NO. 2 OF 3				
1 PLACE	± 0.3	± ---	REISSNER	2012/01/13								
ANGULAR ± 1 °			APPROVED BY AVOGT		DATE 2012/01/18		THIS DRAWING CONTAINS INFORMATION THAT IS PROPRIETARY TO MOLEX INCORPORATED AND SHOULD NOT BE USED WITHOUT WRITTEN PERMISSION					
DRAFT WHERE APPLICABLE MUST REMAIN WITHIN DIMENSIONS			MATERIAL NO. SEE TABLE		SIZE A4							

7 6 5 4 3 2 1


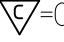
PART LIST:

1200868302	403006E02M002
1200270459	403006E02M003
1200868056	403006E02M006
1200270364	403006E02M010
1200868303	403006E02M015
1200868228	403006E02M020
1200868304	403006E02M025
1200868305	403006E02M030
1200271420	403006E02M035
1200271421	403006E02M040
1200868306	403006E02M045
1200270105	403006E02M050
1200271422	403006E02M060
1200868307	403006E02M100
1200868387	403006E02M150
1200868390	403006H08M020
1200868078	403006H08M050
1200868310	403006I02M003
1200868311	403006I02M004
1200868312	403006I02M006
1200868313	403006I02M007
1200868314	403006I02M010
1200868315	403006I02M011
1200868316	403006I02M014
1200868317	403006I02M015
1200868318	403006I02M020
1200868319	403006I02M030
1200868320	403006I02M050
1200868321	403006I02M100
1200868322	403006I02M150
1200271294	403006P02M002G
1200271332	403006P02M003
1200271179	403006P02M004
1200271327	403006P02M005
1200271200	403006P02M006
1200271079	403006P02M010
1200270911	403006P02M020

1200270453	403006P02M040
1200860474	403006P02M050
1200270933	403006P02M100
1200270513	403006P08M030
1200270457	403006P08M200
1200868161	404006E02M010
1200868367	404006E02M015
1200868368	404006E02M020
1200270376	404006E02M050
1200868369	404006E02M100
1200868408	404006H08M003
1200868409	404006H08M010
1200868392	404006H08M020
1200868227	404006H08M050
1200868370	404006I02M003
1200868371	404006P02M004G
1200868372	404006P02M010
1200868373	404006P02M020
1200868374	404006P02M030G
1200868375	404006P02M050
1200868376	404006P02M050G
1200868377	404006P02M100
1200868152	405006E02M010
1200868173	405006E02M020
1200868174	405006E02M050
1200868175	405006E02M100
1200868164	405006E02M300
1200868165	405006E02M500
1200868166	405006E02M600
1200868397	405006H08M020
1200270853	405006P02M004G
1200270588	405006P02M005
1200868087	405006P02M010
1200868182	405006P02M012
1200270752	405006P02M020
1200868031	405006P02M030
1200860586	405006P02M040

1200270657	405006P02M050
1200860587	405006P02M060
1200860588	405006P02M100

ENTER DESCRIPTION
 EC NO: IPG2012-0233
 DRWN: APOHL 2011/08/24
 CHKD: CBURGER
 APPR: AVOGT 2012/01/18
 1

QUALITY SYMBOLS
 =0
 =0
 DESCRIPTION
 REV

GENERAL TOLERANCES (UNLESS SPECIFIED)

	mm	INCH
4 PLACES	± ---	± ---
3 PLACES	± ---	± ---
2 PLACES	± ---	± ---
1 PLACE	± 0.3	± ---

ANGULAR ± 1 °

DRAFT WHERE APPLICABLE
 MUST REMAIN
 WITHIN DIMENSIONS


DIMENSION STYLE
MM ONLY

DRAWN BY DATE
 APOHL 2011/08/24

CHECKED BY DATE
 REISSNER 2012/01/13

APPROVED BY DATE
 AVOGT 2012/01/18

MATERIAL NO.
SEE TABLE


SIZE
 4

SCALE
1:1

DESIGN UNITS
METRIC

THIRD ANGLE PROJECTION

TITLE
**CSE M8 XP XC MA STR XM
 SE UNSH
 NANO-CHANGE**

 **MOLEX INCORPORATED**

DOCUMENT NO.
SD-120086-002

SHEET NO.
3 OF 3

THIS DRAWING CONTAINS INFORMATION THAT IS PROPRIETARY TO MOLEX INCORPORATED AND SHOULD NOT BE USED WITHOUT WRITTEN PERMISSION

6 5 4 3 2 1