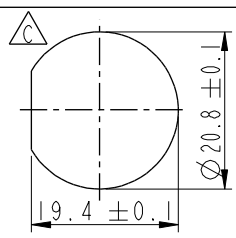
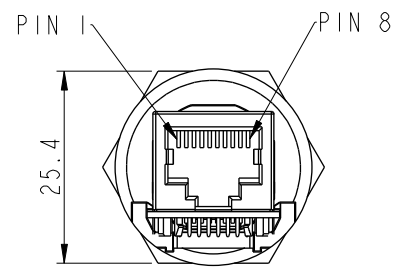
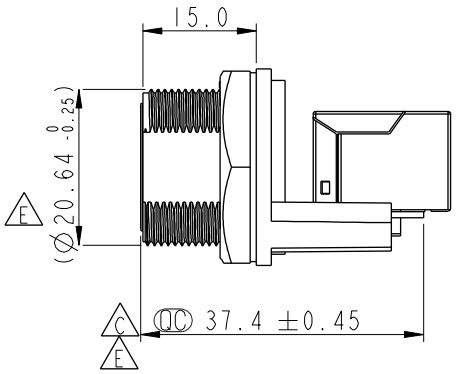
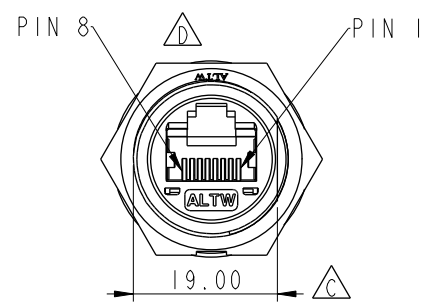
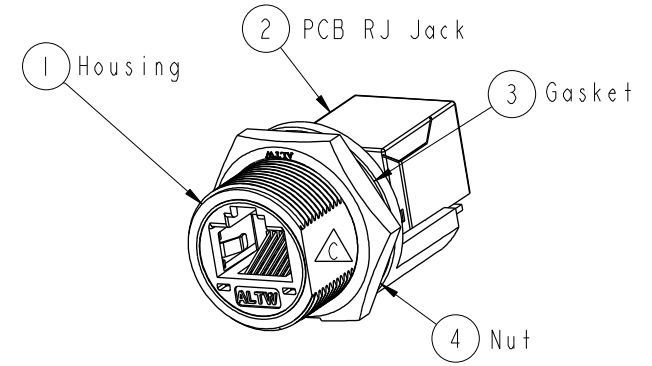
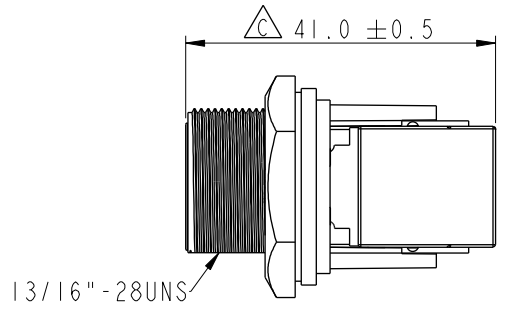
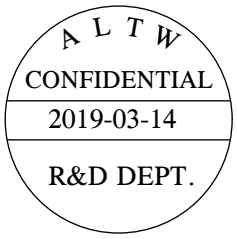


REV.	ECN NO.	DATE	SIGN	DESCRIPTION
D	LEN15C0246	2015-12-16	Jinhai	凸字底部修平
E	LEN1810008	2017-11-28	Jalam	Modify The Tolerance
F	CI90405	2019/03/14	Ruru	Modify Note



Recommended Panel Cut-out Rear View



- Note: $\triangle E$
- * CC Important Dimension
 - * Waterproof Rate : IP67, Mated
 - * Housing: Thermoplastic, Black
 - * Nut: Thermoplastic, Black
 - * Gasket : Rubber, Gray.
 - * PCB: FR-4
 - * Jack : Thermoplastic
 - * Use without Waterproof cap or Dust cap For Panel Thickness Max: 4.2mm
 - * Use with Waterproof cap or Dust cap For Panel Thickness Max: 3.0mm
 - * Screw torsion value range: 8~12kgf-cm
 - * Gasket and Nut are packed separately in PE bags.

UNIT: mm		TITLE RJ45,C SIZE, MATED WP			ITEM NO RCP-5SPFFH-SCM7001	DRAWN BY Ruru	DATE 2019-03-14
		SCALE 1:1	SIZE A4	SHEET 1 OF 1	DWG NO RCP-5SPFFH-SCM7001	CHECKED BY Rita	DATE 2019-03-14
TOLERANCE .X ±0.25 .XX ±0.1 .XXX ±0.05 ANGLES ±1°		REV. F	WC-REV. C.4	CC : Inspection item	CUSTOMER ALTW	APPROVED BY Max	DATE 2019-03-14

Amphenol LTW
安費諾亮泰企業股份有限公司

THIS DOCUMENT IS SUBJECT TO CHANGE WITHOUT NOTICE. IT IS CONFIDENTIAL AND A PROPERTY OF Amphenol LTW. DISCLOSURE TO THIRD PARTY HAS TO BE AUTHORIZED BY Amphenol LTW.