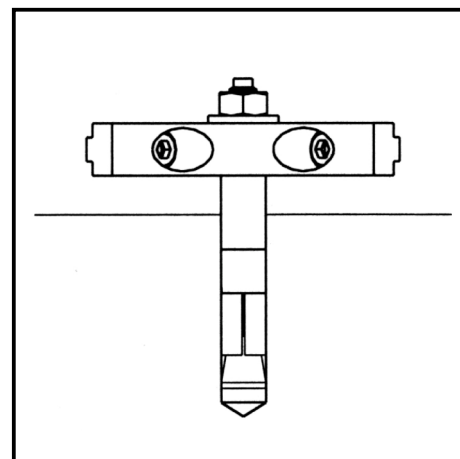
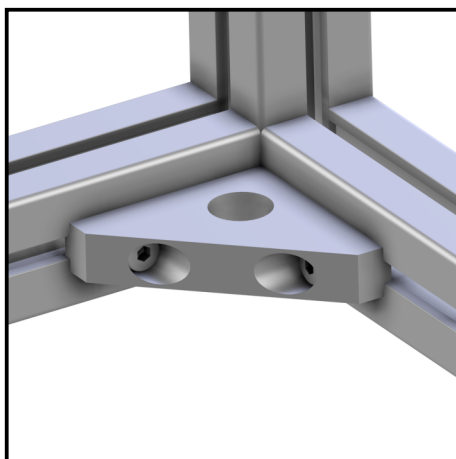
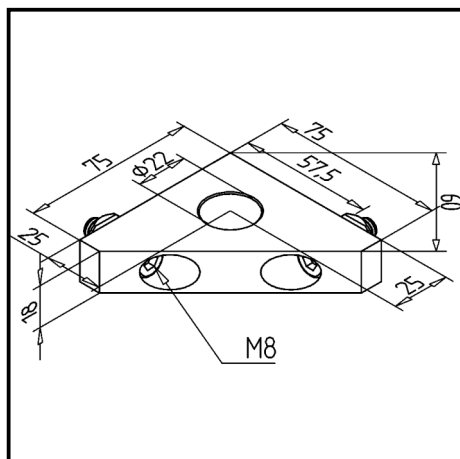


# CORNER 90 WITH SQUARE NUT M8 WITH POSITION-FIXING

Article Nr. 21.1783/7

See the product on the website →



## TECHN. DATA / ITEMS SUPPLIED

- Aluminium, anodized E6/EV1
- With fastening material steel, zinc plated
- Weight = 0.170 kg/piece

## APPLICATIONS

- Strengthening of constructions
- Fixation of internal feet or rollers
- Floor mounting and leveling constructions

## ASSEMBLY

- On profile side, with fastening kit
- On floor side, fasten with floor anchor