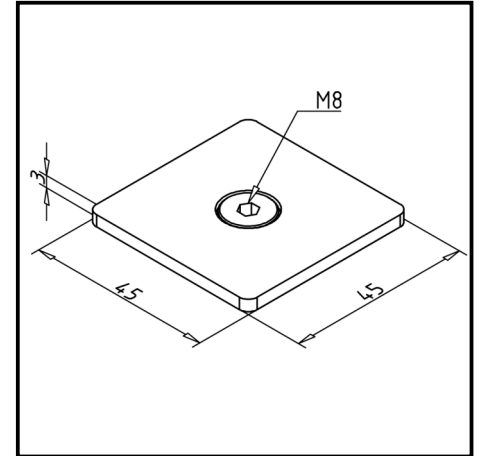
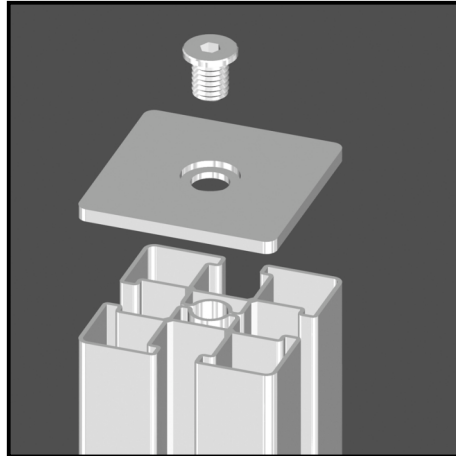
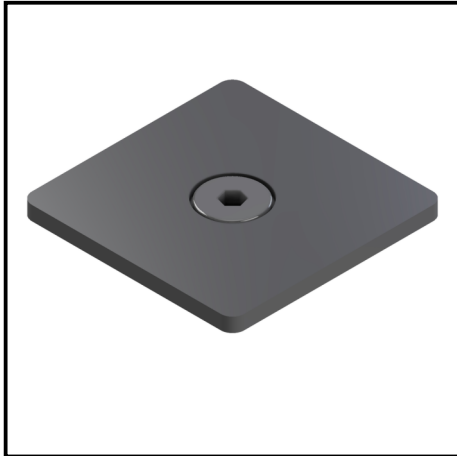


END CAP 45X45 VA

Article Nr. 22.1067/5

[See the product on the website](#) →

[Download CAD Files](#) →



TECHN. DATA / ITEMS SUPPLIED

- Stainless steel, blasted
- Weight = 0.049 kg/piece

APPLICATIONS

- Mouth-side covering of profile ends of profile series 45

ASSEMBLY

- Insert and screw on the thread M8 into the central hole in the end face of the profile