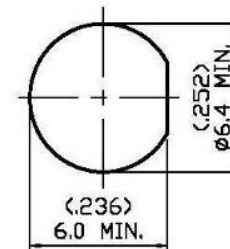
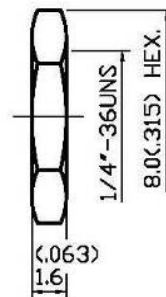
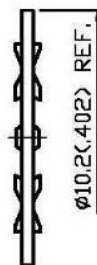
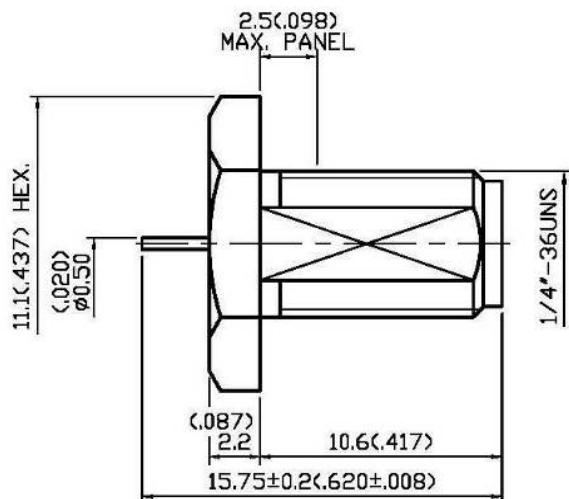


NO	DESCRIPTION	DATE
⚠	3kg/cm ² MIN. → 7kg/cm ² MIN.	06.18.12'
⚠	DEL. PROOF VOLTAGE WORKING VOLTAGE → VOLTAGE RATING	01.02.13'



MOUNTING HOLE

1.0 ELECTRICAL

- 1.1 FREQUENCY RANGE: DC-18 GHz
- 1.2 NOMINAL IMPEDANCE: 50 OHM
- 1.3 VOLTAGE RATING: 500 VOLTS MAX. ⚠
- 1.4 VSWR: 1.3 MAX.

2.0 MATERIALS

- 2.1 BODIES: STAINLESS STEEL PER JIS SUS 303
- 2.2 CENTER CONTACT: BERYLLIUM COPPER PER ASTM B196 UNS C17300
- 2.3 INSULATION: TEFLON PER ASTM D1457 AND ASTM D1710

3.0 FINISHES AND OTHERS

3.1 SEE BELOW TABLE FOR DETAILS.

4.0 MECHANICAL

4.1 INTERFACE IN ACCORDANCE WITH: MIL-STD-348A

5.0 ENVIRONMENTAL

- 5.1 OPERATING TEMPERATURE RANGE: -65° C TO +165° C
- 5.2 CONNECTOR MUST WITHSTAND WATERPROOF LEAK TEST PRESSURE 7kg/cm² MIN. ⚠

APPROVED by _____ DATE: _____

6	NUT	STAINLESS STEEL	1	GOLD 3μ" MIN.
5	WASHER	STAINLESS STEEL	1	GOLD 3μ" MIN.
4	O-RING	SILICONE	1	RED(φ6.07X1.78)
3	BODY	STAINLESS STEEL	1	GOLD 3μ" MIN.
2	INSULATION	TEFLON	1	NONE
1	CENTER CONTACT	BERYLLIUM COPPER	1	GOLD 50μ" MIN.
NO	DESCRIPTION	MATERIAL	Q'TY	FINISH



DESCRIPTION		SMA BULKHEAD JACK RECEPTACLE SEALED							
製圖	DRAWN	TOLERANCE	品名	19-16-11	T.G.G	日期	DATE	版次	REV.
	Kristina								
檢圖	CHECK	單位	UNIT	DWG.NO.	19-0269				
	Arc					.XX	±0.1	mm(In)	
認定	APPROVAL	ANGLE	SCALE						
	Angela			.XXX	±0.05	比例	4:1		