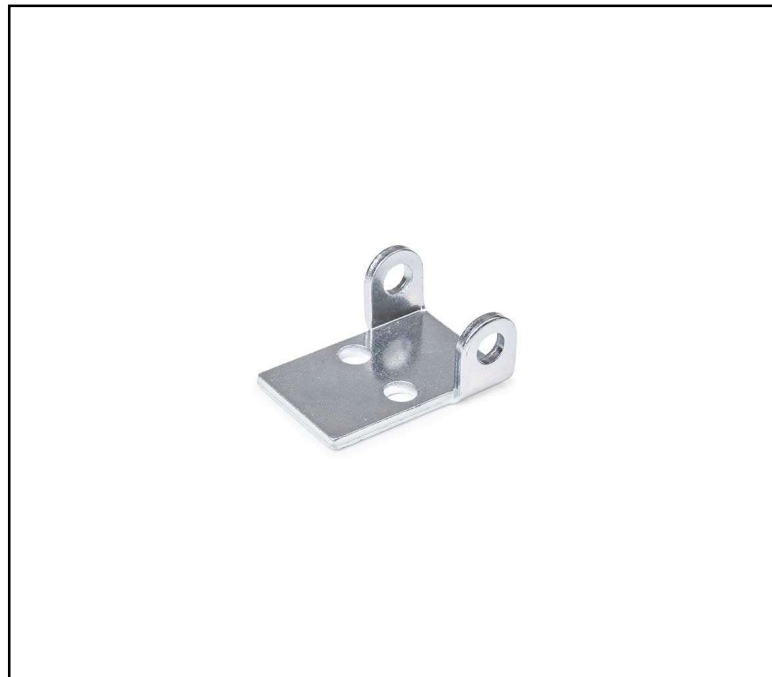


Features

- Strong and durable zinc plated steel construction
- Designed for use with either 16868Z or 16870R

RS PRO Hinges

RS Stock No.: 0335171



RS Professionally Approved Products bring to you professional quality parts across all product categories. Our product range has been tested by engineers and provides a comparable quality to the leading brands without paying a premium price.

Product Description

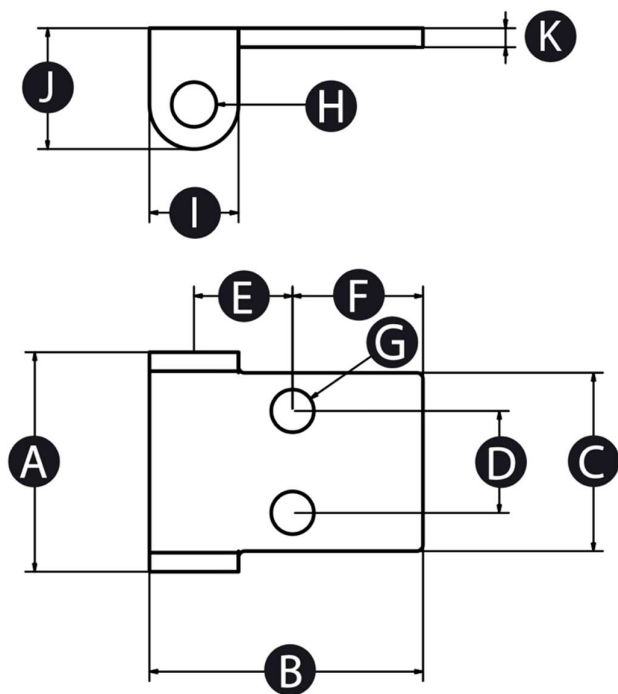
Zinc plated steel hinge leaf for use with either 0335169 or 0335168.

General Specifications

Length	34.5mm
Material	Zinc plated steel
Colour	Silver
Application	Enclosures, HVAC, machinery, equipment, construction industry

Mechanical Specifications

A	34.5
B	43
C	28
D	16
E	15.5
F	20.5
G	6.7
H	7
I	14
J	19
K	3



Similar Products

Stock No.	Brand	Product Name	Length	Opening Angle
0335169	RS PRO	Zinc Alloy Concealed Hinge	75mm	90 degrees
0335168	RS PRO	Alu 6061 Concealed Hinge	75mm	90 degrees
0335170	RS PRO	Zinc plated steel hinge leaf for welding	35mm	-
0335171	RS PRO	Zinc plated steel hinge leaf for bolts	34.5mm	-