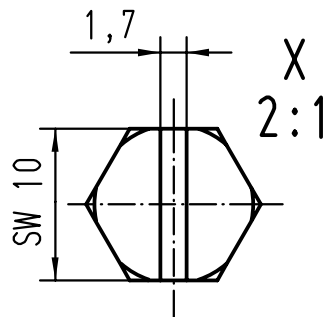
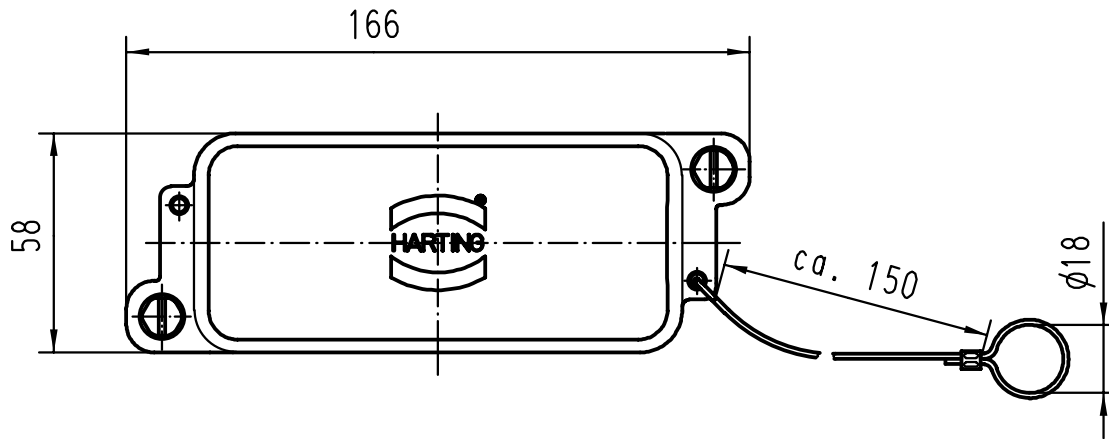
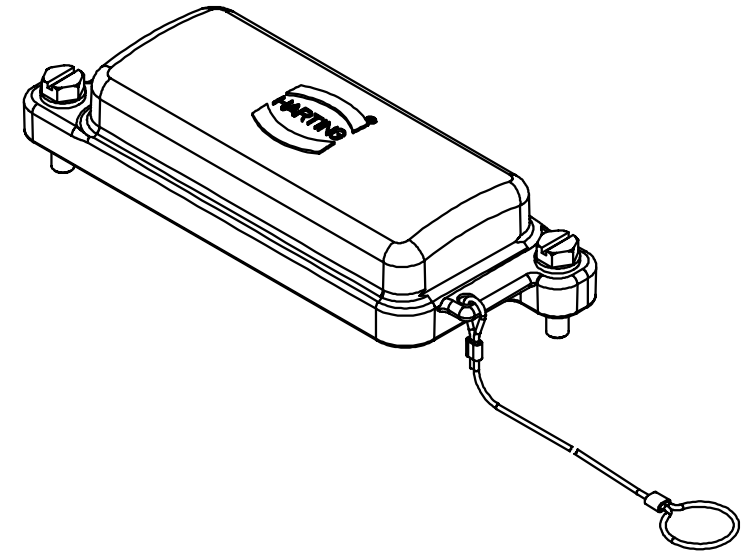
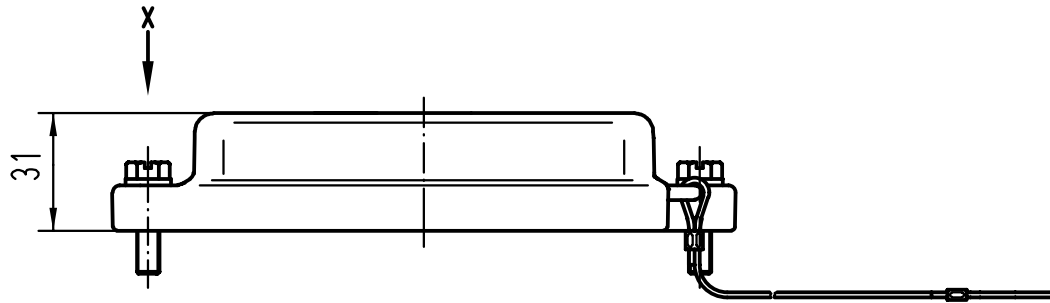
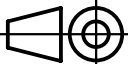




5 4 3 2 1

D
C
B
A



| | | | | | | | | | | | | | | | | | | | | | | | | |
|---|--------|----------|---|---|--|--|----------|----|--|-------|--|------|--|--------|--|--|--|-----------------|-----|--|-----|--|--|--|
|  All Dimensions in mm Original Size DIN A 4 | | | Techn. Character. | | | Nicht tolerierte Masse/ Free size tolerances | | | | | | | | | | | | | | | | | | |
| | | | | <table border="1"> <tr> <td></td> <td>Def.</td> <td>05.03.99</td> <td>KR</td> </tr> <tr> <td></td> <td>Insp.</td> <td></td> <td>SDT.</td> </tr> <tr> <td></td> <td>Stand.</td> <td></td> <td></td> </tr> </table> | | Def. | 05.03.99 | KR | | Insp. | | SDT. | | Stand. | | | <table border="1"> <tr> <td>Massstab/ Scale</td> <td>1:2</td> </tr> <tr> <td></td> <td>2:1</td> </tr> </table> | Massstab/ Scale | 1:2 | | 2:1 | <p>Han 16HPR-AK-SV Abdeckkappe mit Schraubverschluß / cover with screw locking system</p> | | |
| | Def. | 05.03.99 | KR | | | | | | | | | | | | | | | | | | | | | |
| | Insp. | | SDT. | | | | | | | | | | | | | | | | | | | | | |
| | Stand. | | | | | | | | | | | | | | | | | | | | | | | |
| Massstab/ Scale | 1:2 | | | | | | | | | | | | | | | | | | | | | | | |
| | 2:1 | | | | | | | | | | | | | | | | | | | | | | | |
| 25553 | | |  | <p>TB 09 40 016 5411</p> | Blatt/ page  | | | | | | | | | | | | | | | | | | | |
| Mod. | Def. | Name | HARTING KGaA D-32339 ESPELKAMP | | | Sub. TB 09 40 0.. 5411 v. 15.02.95 | | | | | | | | | | | | | | | | | | |