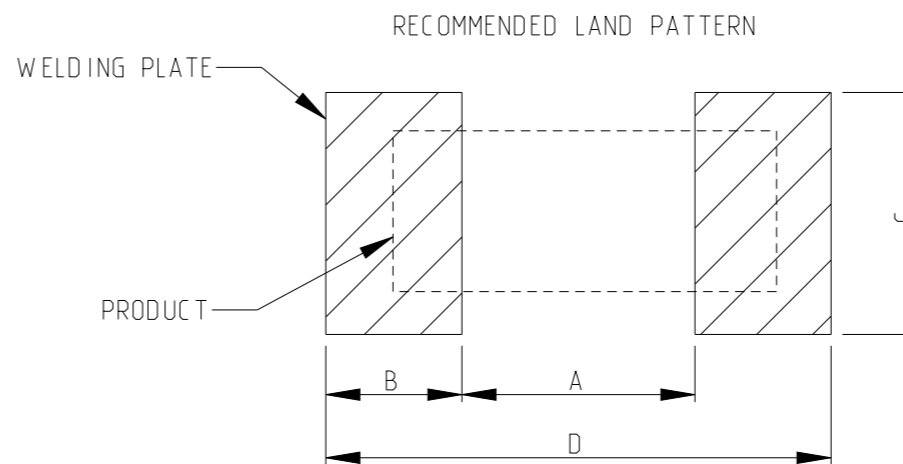
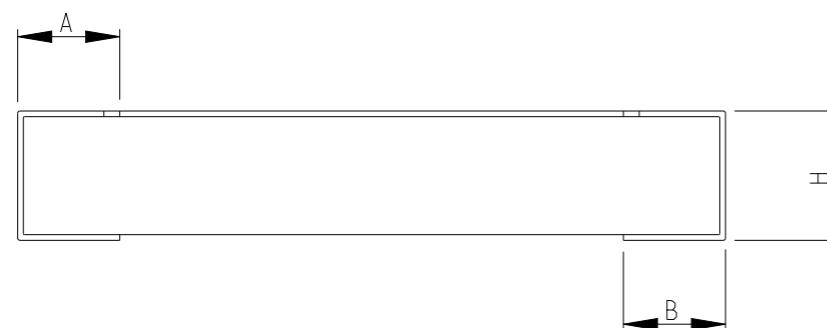
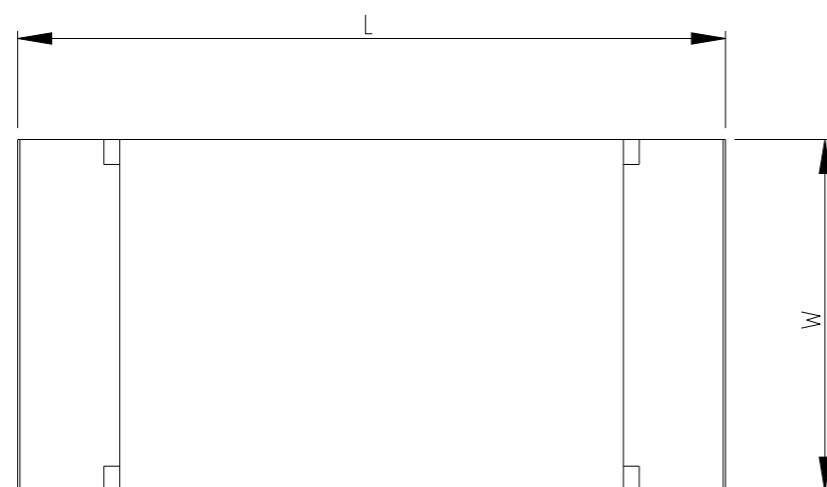


P	LTR	DESCRIPTION	DATE	DWN	APVD
	BA	NEW DRAWING	06FEB2026	CK	TG



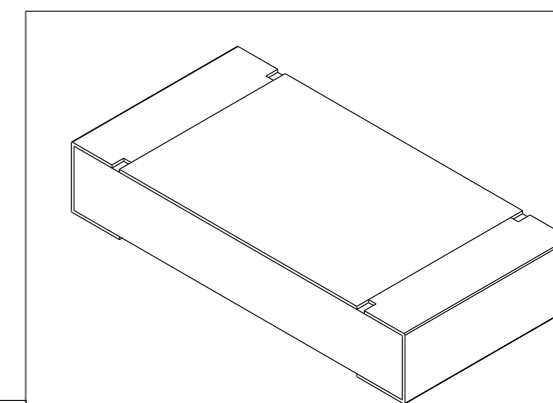
TEST BOARD CONSTRUCTION:  
 PCB THICKNESS : 1.6mm SINGLE SIDED.  
 COPPER LAYER THICKNESS : 32-36 μm

TYPE	SIZE (Inch)	A (mm)	B (mm)	C (mm)	D (mm)
CRGSP1206	1206	2.0±0.10	1.10±0.10	1.80±0.10	4.20±0.10

NOTES:


1. FOR FURTHER INFORMATION SEE DATA SHEET FOR CRGSP SERIES THICK FILM ANTI-SULPHUR PULSE CHIP RESISTOR

TYPE	SIZE (Inch)	L (mm)	W (mm)	H (mm)	A (mm)	B (mm)	UNIT WEIGHT (mg)
CRGSP1206	1206	3.10±0.15	1.55+0.15/-0.10	0.55±0.10	0.45±0.20	0.45±0.20	8.47



RoHS Compliant

SCALE 20:1

THIS DRAWING IS A CONTROLLED DOCUMENT.		DWN 06FEB2026 CHANDRA K	 TE Connectivity		
DIMENSIONS: mm		CHK 06FEB2026 TRACY G			
TOLERANCES UNLESS OTHERWISE SPECIFIED:		APVD 06FEB2026 TRACY G	NAME THICK FILM ANTI-SULPHUR PULSE CHIP RESISTOR TYPE CRGSP 1206 SERIES		
0 PLC ± 1 PLC ± 2 PLC ± 3 PLC ± 4 PLC ± ANGLES ±		PRODUCT SPEC -	RESTRICTED TO -		
MATERIAL -		APPLICATION SPEC -	SIZE A3	CAGE CODE 00779	DRAWING NO C=72239
FINISH -		WEIGHT -	SCALE 30:1 SHEET 1 OF 3 REV BA		
CUSTOMER DRAWING					

REVISIONS

P	LTR	DESCRIPTION	DATE	DWN	APVD
	-	SEE SHEET 1	-	-	-

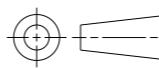
SCHEDULE

TCPN	CATALOGUE NUMBER	PART DESCRIPTION	PART STATUS
72239-1	CRGSP1206FZR	CRGSP1206 1% ZR	PRODUCTION
72239-2	CRGSP1206F1R0	CRGSP1206 1% 1R0	PRODUCTION
72239-3	CRGSP1206F10R	CRGSP1206 1% 10R	PRODUCTION
72239-4	CRGSP1206F20R	CRGSP1206 1% 20R	PRODUCTION
72239-5	CRGSP1206F49R9	CRGSP1206 1% 49R9	PRODUCTION
72239-6	CRGSP1206F100R	CRGSP1206 1% 100R	PRODUCTION
72239-7	CRGSP1206F1K0	CRGSP1206 1% 1K0	PRODUCTION
72239-8	CRGSP1206F1K5	CRGSP1206 1% 1K5	PRODUCTION
72239-9	CRGSP1206F2K0	CRGSP1206 1% 2K0	PRODUCTION
1-72239-0	CRGSP1206F7K5	CRGSP1206 1% 7K5	PRODUCTION
1-72239-1	CRGSP1206F10K	CRGSP1206 1% 10K	PRODUCTION
1-72239-2	CRGSP1206F20K	CRGSP1206 1% 20K	PRODUCTION
1-72239-3	CRGSP1206F49K9	CRGSP1206 1% 49K9	PRODUCTION
1-72239-4	CRGSP1206F75K	CRGSP1206 1% 75K	PRODUCTION
1-72239-5	CRGSP1206F100K	CRGSP1206 1% 100K	PRODUCTION
1-72239-6	CRGSP1206F150K	CRGSP1206 1% 150K	PRODUCTION
1-72239-7	CRGSP1206F200K	CRGSP1206 1% 200K	PRODUCTION
1-72239-8	CRGSP1206F1M0	CRGSP1206 1% 1M0	PRODUCTION
1-72239-9	CRGSP1206F2M0	CRGSP1206 1% 2M0	PRODUCTION
2-72239-0	CRGSP1206F10M	CRGSP1206 1% 10M	PRODUCTION
2-72239-1	CRGSP1206F2R0	CRGSP1206 1% 2R0	PRODUCTION
2-72239-2	CRGSP1206F2R2	CRGSP1206 1% 2R2	PRODUCTION
2-72239-3	CRGSP1206F2R4	CRGSP1206 1% 2R4	PRODUCTION
2-72239-4	CRGSP1206F3R6	CRGSP1206 1% 3R6	PRODUCTION
2-72239-5	CRGSP1206F3R9	CRGSP1206 1% 3R9	PRODUCTION
2-72239-6	CRGSP1206F4R7	CRGSP1206 1% 4R7	PRODUCTION
2-72239-7	CRGSP1206F5R1	CRGSP1206 1% 5R1	PRODUCTION
2-72239-8	CRGSP1206F6R2	CRGSP1206 1% 6R2	PRODUCTION
2-72239-9	CRGSP1206F6R8	CRGSP1206 1% 6R8	PRODUCTION

SCHEDULE

TCPN	CATALOGUE NUMBER	PART DESCRIPTION	PART STATUS
3-72239-0	CRGSP1206F15R	CRGSP1206 1% 15R	PRODUCTION
3-72239-1	CRGSP1206F22R	CRGSP1206 1% 22R	PRODUCTION
3-72239-2	CRGSP1206F24R	CRGSP1206 1% 24R	PRODUCTION
3-72239-3	CRGSP1206F30R	CRGSP1206 1% 30R	PRODUCTION
3-72239-4	CRGSP1206F33R	CRGSP1206 1% 33R	PRODUCTION
3-72239-5	CRGSP1206F36R	CRGSP1206 1% 36R	PRODUCTION
3-72239-6	CRGSP1206F47R	CRGSP1206 1% 47R	PRODUCTION
3-72239-7	CRGSP1206F51R	CRGSP1206 1% 51R	PRODUCTION
3-72239-8	CRGSP1206F62R	CRGSP1206 1% 62R	PRODUCTION
3-72239-9	CRGSP1206F75R	CRGSP1206 1% 75R	PRODUCTION
4-72239-0	CRGSP1206F120R	CRGSP1206 1% 120R	PRODUCTION
4-72239-1	CRGSP1206F150R	CRGSP1206 1% 150R	PRODUCTION
4-72239-2	CRGSP1206F165R	CRGSP1206 1% 165R	PRODUCTION
4-72239-3	CRGSP1206F200R	CRGSP1206 1% 200R	PRODUCTION
4-72239-4	CRGSP1206F220R	CRGSP1206 1% 220R	PRODUCTION
4-72239-5	CRGSP1206F249R	CRGSP1206 1% 249R	PRODUCTION
4-72239-6	CRGSP1206F470R	CRGSP1206 1% 470R	PRODUCTION
4-72239-7	CRGSP1206F620R	CRGSP1206 1% 620R	PRODUCTION
4-72239-8	CRGSP1206F750R	CRGSP1206 1% 750R	PRODUCTION
4-72239-9	CRGSP1206F1K1	CRGSP1206 1% 1K1	PRODUCTION
5-72239-0	CRGSP1206F3K0	CRGSP1206 1% 3K0	PRODUCTION
5-72239-1	CRGSP1206F3K9	CRGSP1206 1% 3K9	PRODUCTION
5-72239-2	CRGSP1206F6K34	CRGSP1206 1% 6K34	PRODUCTION
5-72239-3	CRGSP1206F26K1	CRGSP1206 1% 26K1	PRODUCTION
5-72239-4	CRGSP1206F27K	CRGSP1206 1% 27K	PRODUCTION
5-72239-5	CRGSP1206F120K	CRGSP1206 1% 120K	PRODUCTION
5-72239-6	CRGSP1206F180K	CRGSP1206 1% 180K	PRODUCTION
5-72239-7	CRGSP1206F182K	CRGSP1206 1% 182K	PRODUCTION
5-72239-8	CRGSP1206F220K	CRGSP1206 1% 220K	PRODUCTION
5-72239-9	CRGSP1206F240K	CRGSP1206 1% 240K	PRODUCTION

THIS DRAWING IS A CONTROLLED DOCUMENT.

DIMENSIONS: mm	TOLERANCES UNLESS OTHERWISE SPECIFIED:
	0 PLC ± 1 PLC ± 2 PLC ± 3 PLC ± 4 PLC ± ANGLES ±
MATERIAL	FINISH
-	-

DWN CHANDRA K	06FEB2026
CHK TRACY G	06FEB2026
APVD TRACY G	06FEB2026
PRODUCT SPEC	-
APPLICATION SPEC	-
WEIGHT	-
CUSTOMER DRAWING	



TE Connectivity

THICK FILM ANTI-SULPHUR PULSE CHIP RESISTOR TYPE CRGSP 1206 SERIES

NAME	SIZE	CAGE CODE	DRAWING NO	RESTRICTED TO
-	A3	00779	©=72239	-
SCALE	SHEET	OF	REV	
30:1	2	3	BA	

REVISIONS

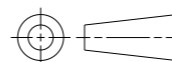
P	LTR	DESCRIPTION	DATE	DWN	APVD
-		SEE SHEET 1	-	-	-

SCHEDULE

TCPN	CATALOGUE NUMBER	PART DESCRIPTION	PART STATUS
6-72239-0	CRGSP1206F270K	CRGSP1206 1% 270K	PRODUCTION
6-72239-1	CRGSP1206F300K	CRGSP1206 1% 300K	PRODUCTION
6-72239-2	CRGSP1206F330K	CRGSP1206 1% 330K	PRODUCTION
6-72239-3	CRGSP1206F470K	CRGSP1206 1% 470K	PRODUCTION
6-72239-4	CRGSP1206F510K	CRGSP1206 1% 510K	PRODUCTION
6-72239-5	CRGSP1206F680K	CRGSP1206 1% 680K	PRODUCTION
6-72239-6	CRGSP1206F1M2	CRGSP1206 1% 1M2	PRODUCTION
6-72239-7	CRGSP1206F1M5	CRGSP1206 1% 1M5	PRODUCTION
6-72239-8	CRGSP1206F2M2	CRGSP1206 1% 2M2	PRODUCTION
6-72239-9	CRGSP1206F2M7	CRGSP1206 1% 2M7	PRODUCTION
7-72239-0	CRGSP1206F3M3	CRGSP1206 1% 3M3	PRODUCTION
7-72239-1	CRGSP1206F3M9	CRGSP1206 1% 3M9	PRODUCTION
7-72239-2	CRGSP1206F4M3	CRGSP1206 1% 4M3	PRODUCTION
7-72239-3	CRGSP1206F4M7	CRGSP1206 1% 4M7	PRODUCTION

THIS DRAWING IS A CONTROLLED DOCUMENT.

DIMENSIONS:  
mm



TOLERANCES UNLESS OTHERWISE SPECIFIED:

0 PLC	±
1 PLC	±
2 PLC	±
3 PLC	±
4 PLC	±
ANGLES	±

MATERIAL

FINISH

DWN CHANDRA K 06FEB2026

CHK TRACY G 06FEB2026

APVD TRACY G 06FEB2026

PRODUCT SPEC

APPLICATION SPEC

WEIGHT

CUSTOMER DRAWING



TE Connectivity

NAME THICK FILM ANTI-SULPHUR PULSE CHIP RESISTOR TYPE CRGSP 1206 SERIES

SIZE	CAGE CODE	DRAWING NO	RESTRICTED TO
------	-----------	------------	---------------

A3	00779	C=72239	-
----	-------	---------	---

SCALE 30:1	SHEET 3 OF 3	REV BA
------------	--------------	--------