

THIS DRAWING IS UNPUBLISHED. RELEASED FOR PUBLICATION. ALL RIGHTS RESERVED.

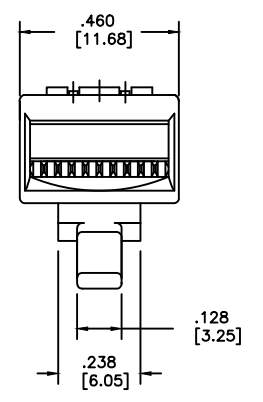
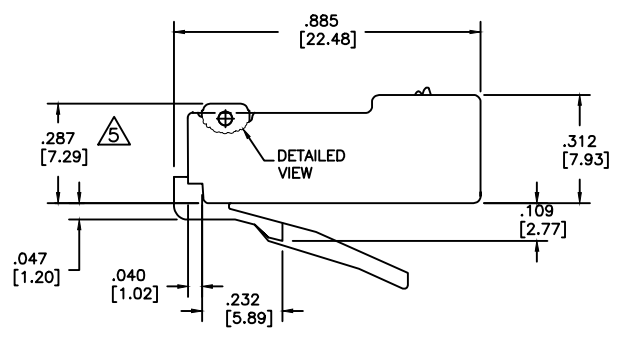
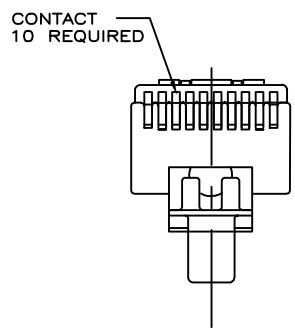
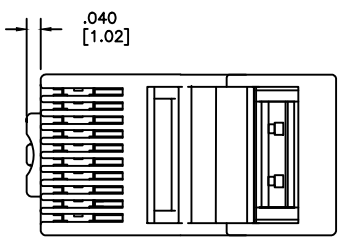
LOC		DIBT		REVISIONS			
FP	LTR	REV	DESCRIPTION	DATE	BY	APPD	
B			REV: MCO-40026563MCO	16NOV2019	HG	JG	

MP1010U-R-

PACKAGE SIZE

5	=	500
2	=	50
1	=	100

1. DIMENSIONS ARE NOMINAL UNLESS OTHERWISE SPECIFIED.
2. MATERIAL: HOUSING- POLYCARBONATE, CLEAR TERMINAL- .305 [.012] THICK PHOSPHOR BRONZE PLATED WITH 1.27μm [.00005] MINIMUM THICK GOLD IN LOCALIZED PLATE AREA OVER 2.54μm [.000100] MINIMUM THICK NICKEL UNDERPLATE.
3. NON-SMALL CONDUCTOR PLUGS WILL ACCEPT 24 TO 26 AWG SOLID OR STRANDED CONDUCTORS WITH A SINGLE INSULATION DIAMETER OF 0.86 - 0.99 [.034-.039].
4. MAXIMUM CABLE JACKET DIAMETER FOR THE 10 POSITION PLUGS IS 5.34 [0.210] DIAMETER JACKET.
5. TERMINATED DIMENSION 5.89 [.232] - 6.15 [.242].
6. UL RECOGNIZED FILE NUMBER E81956.



PACKAGE	MATERIAL	CATALOG NUMBER
100	6-557963-3	MP1010U-R-1
500	6-557963-2	MP1010U-R-5

CATALOG NUMBER VERSIONS

THIS DRAWING IS A CONTROLLED DOCUMENT.		DRW: H.GAUL 11JAN2019	CHK: J.GENIAC 11JAN2019		APPD: J.GENIAC 11JAN2019		NAME: J.GENIAC		
DIMENSIONS: INCHES (MM)		TOLERANCES UNLESS OTHERWISE SPECIFIED:		PRODUCT SPEC: 108-1163		APPLICATION SPEC: 114-6016		SIZE: A1	
MATERIAL: POLYCARBONATE		FINISH: CLEAR		WEIGHT: -		DATE: 11JAN2019		DRAWING NO: 00779	
CUSTOMER DRAWING		SCALE: 4:1		SHEET: 1 OF 1		REV: B		RESTRICTED TO: -	