

Customer Information Sheet

IF IN DOUBT - ASK

©

NOT TO SCALE

THIRD ANGLE PROJECTION

ALL DIMENSIONS IN mm

ORDER CODE:

F10-10XXXX45R

HEIGHT:
SEE TABLE 1

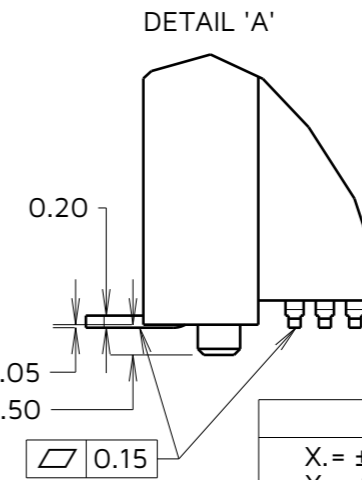
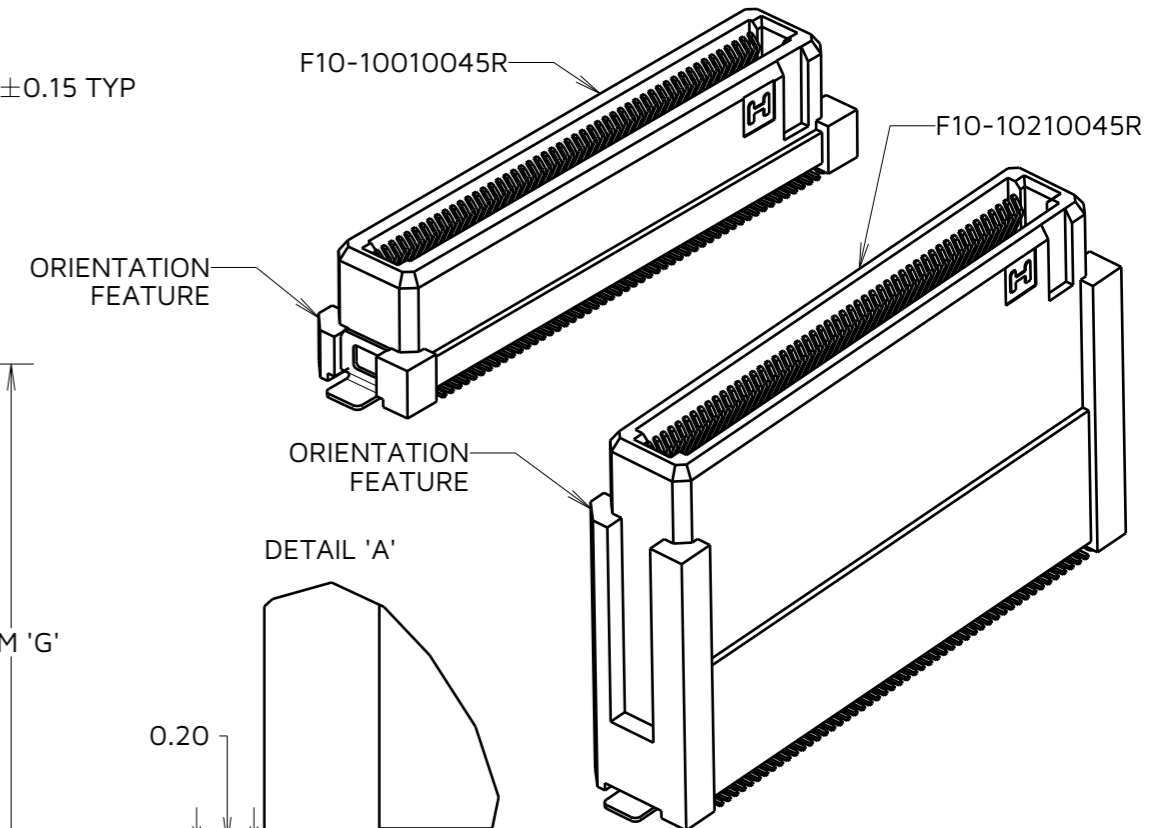
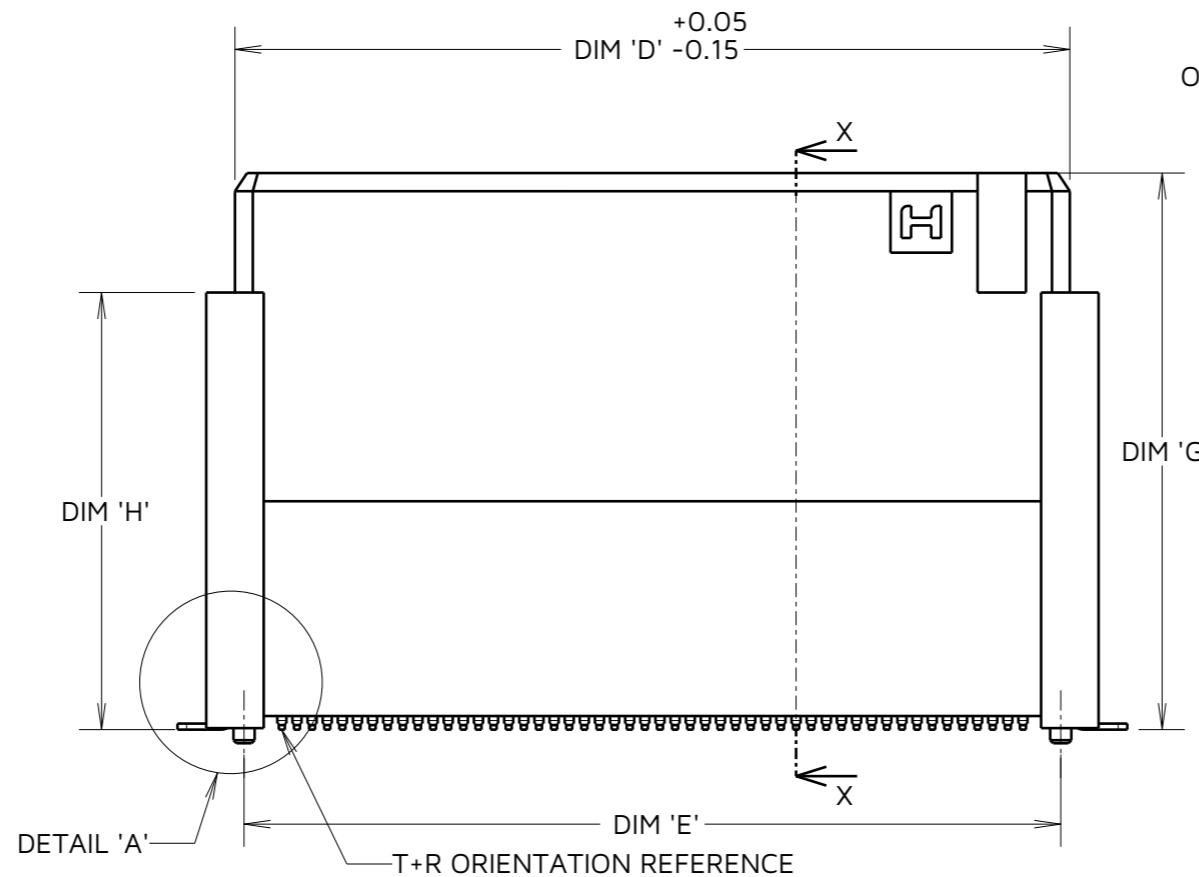
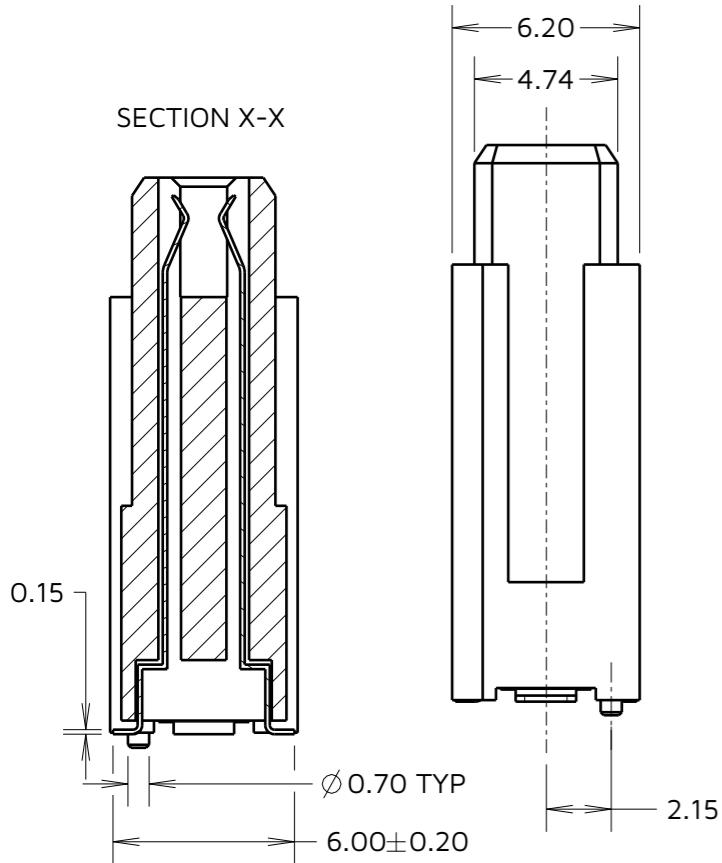
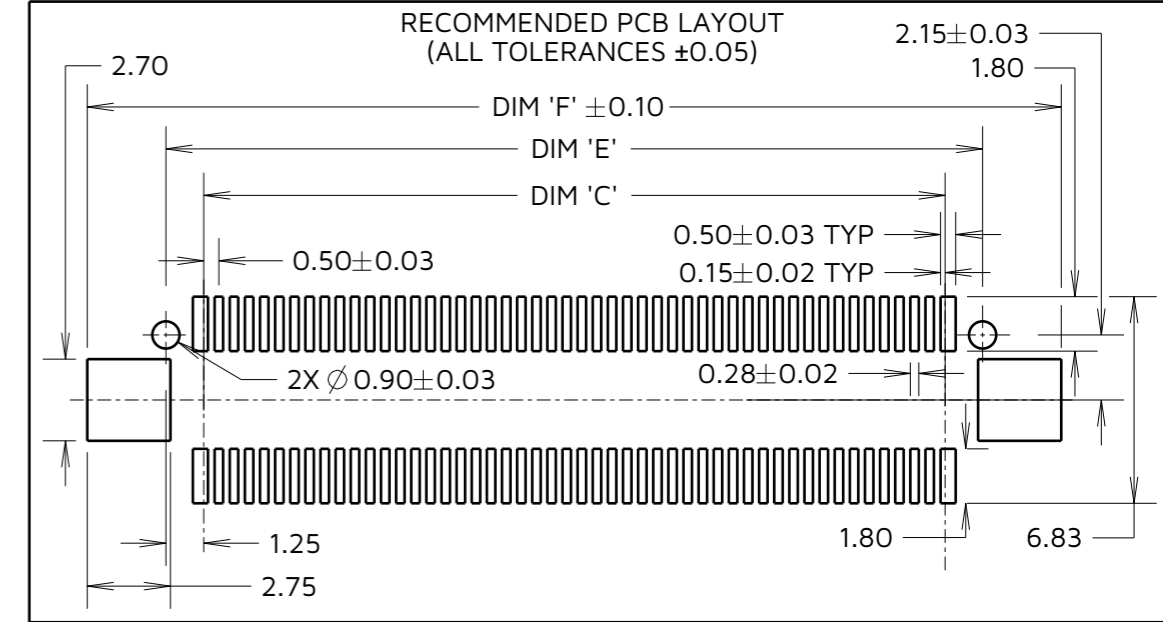
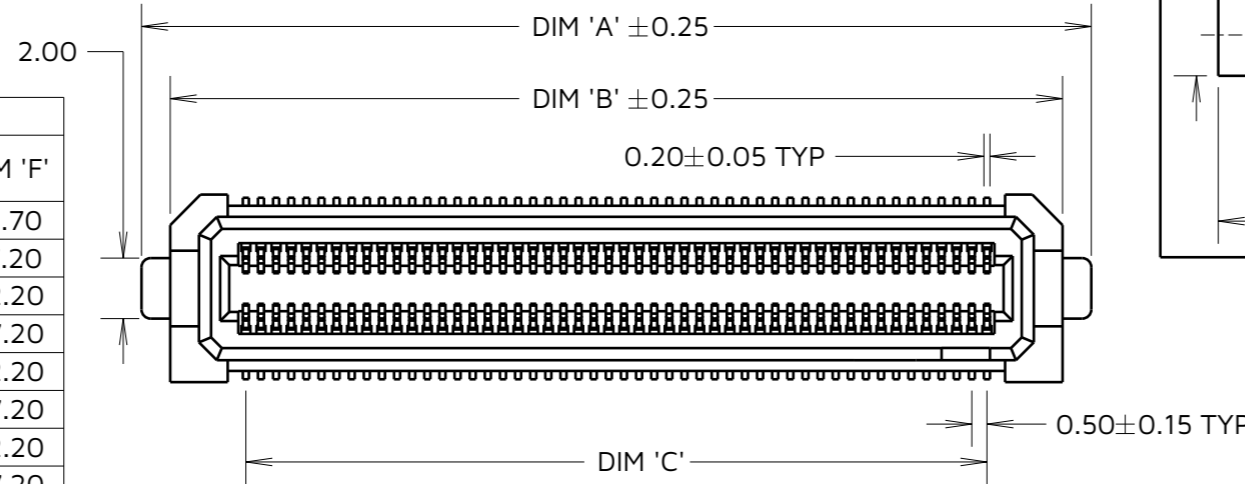
No. OF CONTACTS:
SEE TABLES 1&2

TABLE 1: VARIANTS

| PART No. | CONNECTOR HEIGHT DIM 'G' | DIM 'H' | No. OF CONTACTS | | | | | | | |
|---------------|--------------------------|---------|-----------------|----|----|----|-----|-----|-----|-----|
| | | | 30 | 40 | 60 | 80 | 100 | 120 | 140 | 160 |
| F10-100XXX45R | 6.40 | 2.45 | 30 | - | - | - | 100 | - | - | - |
| F10-101XXX45R | 13.40 | 9.45 | 30 | - | - | - | 100 | - | - | - |
| F10-102XXX45R | 18.40 | 14.45 | 30 | 40 | 60 | 80 | 100 | 120 | 140 | 160 |

TABLE 2: DIMENSIONS

| No. OF CONTACTS | DIM 'A' | DIM 'B' | DIM 'C' | DIM 'D' | DIM 'E' | DIM 'F' |
|-----------------|---------|---------|---------|---------|---------|---------|
| 30 | 13.90 | 12.00 | 7.00 | 10.10 | 9.50 | 14.70 |
| 40 | 16.40 | 14.50 | 9.50 | 12.60 | 12.00 | 17.20 |
| 60 | 21.40 | 19.50 | 14.50 | 17.60 | 17.00 | 22.20 |
| 80 | 26.40 | 24.50 | 19.50 | 22.60 | 22.00 | 27.20 |
| 100 | 31.40 | 29.50 | 24.50 | 27.60 | 27.00 | 32.20 |
| 120 | 36.40 | 34.50 | 29.50 | 32.60 | 32.00 | 37.20 |
| 140 | 41.40 | 39.50 | 34.50 | 37.60 | 37.00 | 42.20 |
| 160 | 46.40 | 44.50 | 39.50 | 42.60 | 42.00 | 47.20 |



| TOLERANCES | |
|----------------|---------------|
| X. = ±0.30mm | X.° = ±5.0° |
| .X = ±0.25mm | .X° = ±3.0° |
| .XX = ±0.15mm | .XX° = ±2.0° |
| .XXX = ±0.10mm | .XXX° = ±1.0° |

| | | | |
|-----------|------|----------|-------|
| JD | 3 | 30.08.24 | 34146 |
| NAME | ISS. | DATE | CN/CO |
| APPROVED: | | J.DEAN | |
| CHECKED: | | A.BOXALL | |
| DRAWN: | | A.BOXALL | |

- NOTES:
- SEE COMPONENT SPECIFICATION C057XX (LATEST ISSUE) FOR COMPLETE CONNECTOR SPECIFICATION.
 - PART SHOWN IS F10-10210045R SEE ORDER CODE FOR POSSIBLE CONFIGURATIONS.
 - SEE SHEET 4 FOR TAPE & REEL DETAILS.

HARWIN

www.harwin.com

TOLERANCES
X. = ±1mm
X.X = ±0.50mm
X.XX = ±0.20mm
X.XXX = ±0.01mm
ANGLES = ±5°
UNLESS STATED

THIS DRAWING AND ANY INFORMATION OR DESCRIPTIVE MATTER SET OUT HEREON ARE CONFIDENTIAL AND COPYRIGHT PROPERTY OF THE HARWIN GROUP AND MUST NOT BE DISCLOSED, LOANED, COPIED OR USED FOR MANUFACTURING, TENDERING OR FOR ANY OTHER PURPOSE WITHOUT THEIR WRITTEN PERMISSION.

MATERIAL:

SEE NOTE 1

TITLE: **0.5mm PITCH FEMALE FLECTO CONNECTOR SIGNAL CONTACTS**

DRAWING NUMBER:

F10-10XXXX45R

SHT
3 OF 4

Customer Information Sheet

IF IN DOUBT - ASK

©

NOT TO SCALE

THIRD ANGLE PROJECTION

ALL DIMENSIONS IN mm

ORDER CODE:
F10-10XXXX45R

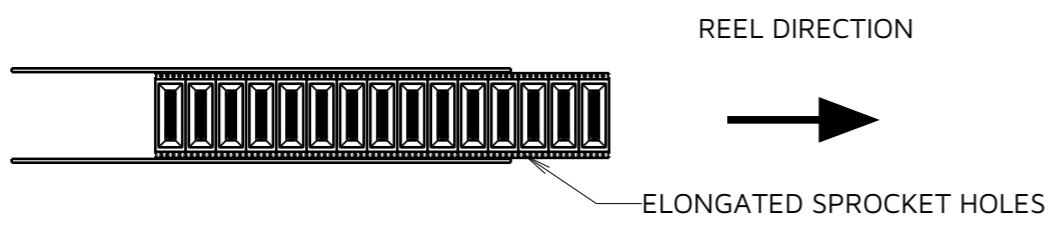
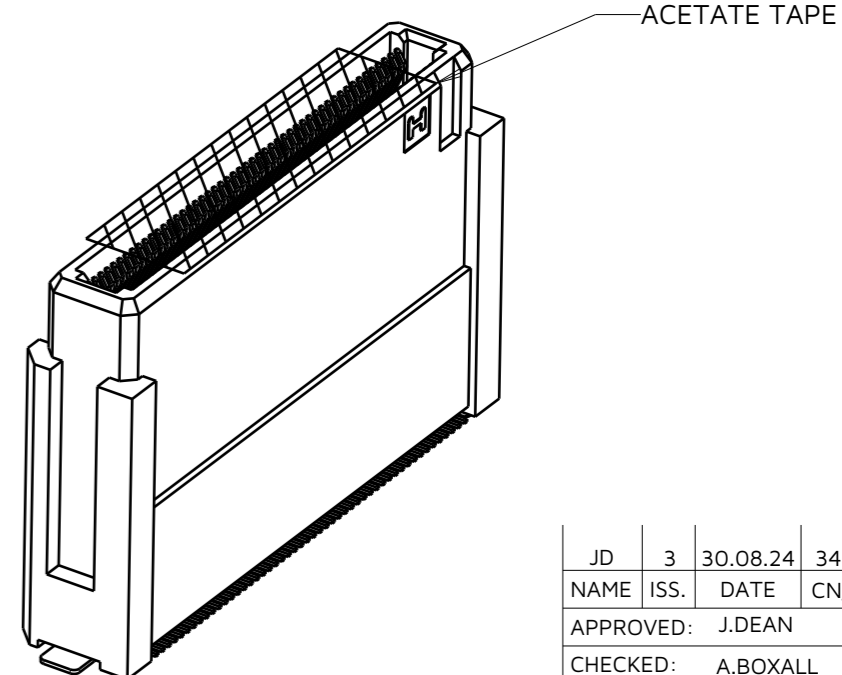
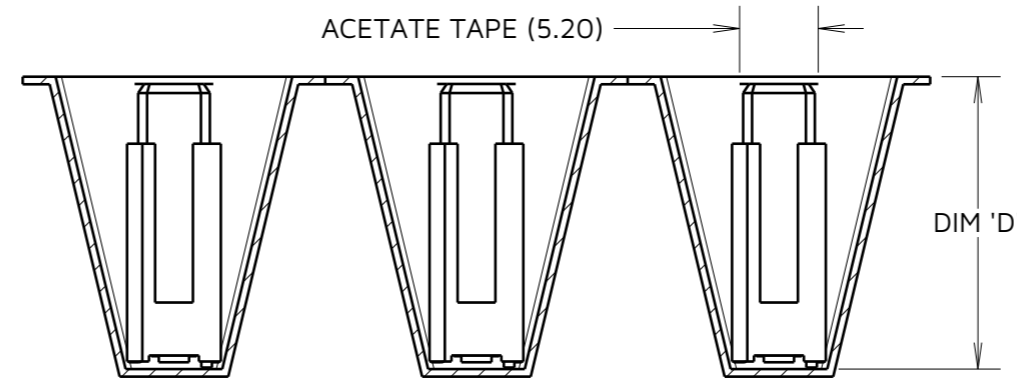
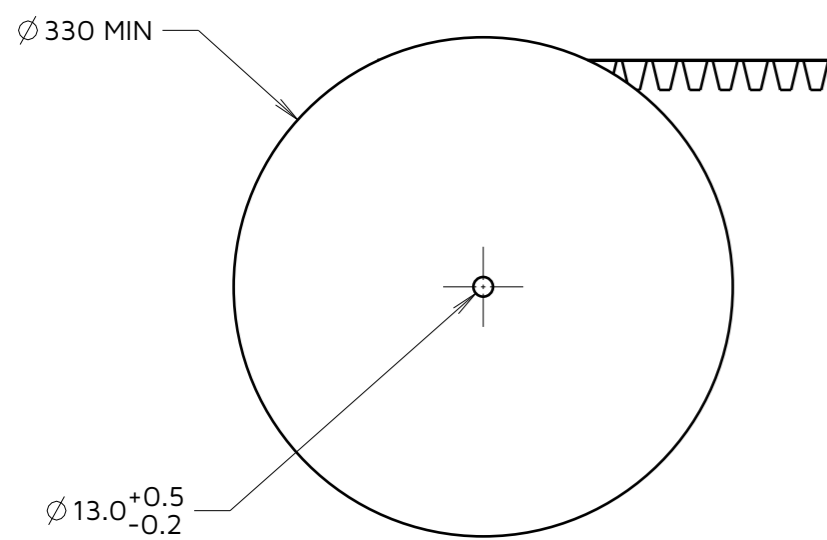
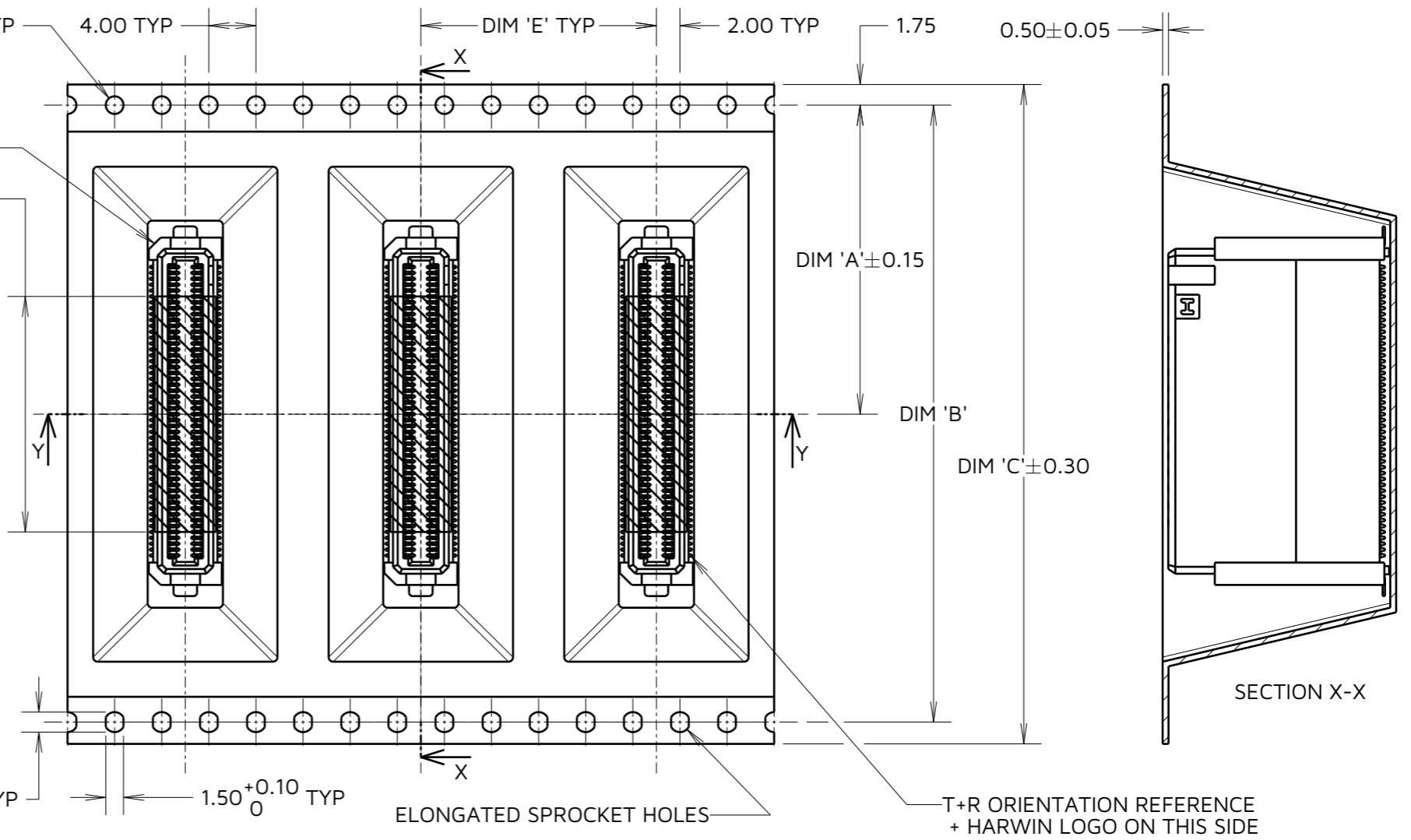
HEIGHT: _____
SEE TABLE 1 ON SHEET 3

No. OF CONTACTS: _____
SEE TABLE 3

ORIENTATION FEATURE
ACETATE TAPE
CONTACTS 30-80 = (11.0)
CONTACTS 100-160 = (28.5)

TABLE 3: DIMENSIONS

| PART No. | No. OF CONTACTS | DIM 'A' | DIM 'B' | DIM 'C' | DIM 'D' | DIM 'E' | REEL QTY |
|---------------|-----------------|---------|---------|---------|---------|---------|----------|
| F10-100XXX45R | 30 | 14.20 | 28.40 | 32.00 | 07.40 | 16.00 | 550PCS |
| | 100 | 26.20 | 52.40 | 56.00 | | | |
| F10-101XXX45R | 30 | 20.20 | 40.40 | 44.00 | 14.40 | 16.00 | 250PCS |
| | 100 | 26.20 | 52.40 | 56.00 | | | |
| F10-102XXX45R | 30 | 20.20 | 40.40 | 44.00 | 19.33 | 20.00 | 150PCS |
| | 40 | | | | | | |
| | 60 | | | | | | |
| | 80 | 26.20 | 52.40 | 56.00 | | | |
| | 100 | | | | | | |
| | 120 | | | | | | |
| 140 | 34.20 | 68.40 | 72.00 | | | | |
| 160 | | | | | | | |



| | | | |
|-------------------|------|----------|-------|
| JD | 3 | 30.08.24 | 34146 |
| NAME | ISS. | DATE | CN/CO |
| APPROVED: J.DEAN | | | |
| CHECKED: A.BOXALL | | | |
| DRAWN: A.BOXALL | | | |

- NOTES:
4. PRODUCT TAPE AND REELED IN ACCORDANCE WITH EIA-481 STANDARD.
5. CARRIER TAPE MATERIAL: BLACK POLYSTYRENE.
6. TAPE POCKETS MAY DIFFER VISUALLY FROM DRAWING.
7. SEE TABLE FOR QUANTITY PER REEL.

HARWIN
www.harwin.com

TOLERANCES
X. = ± 1 mm
X.X = ± 0.50 mm
X.XX = ± 0.20 mm
X.XXX = ± 0.01 mm
ANGLES = $\pm 5^\circ$
UNLESS STATED

THIS DRAWING AND ANY INFORMATION OR DESCRIPTIVE MATTER SET OUT HEREON ARE CONFIDENTIAL AND COPYRIGHT PROPERTY OF THE HARWIN GROUP AND MUST NOT BE DISCLOSED, LOANED, COPIED OR USED FOR MANUFACTURING, TENDERING OR FOR ANY OTHER PURPOSE WITHOUT THEIR WRITTEN PERMISSION.

MATERIAL:
SEE NOTE 5

TITLE: **0.5mm PITCH FEMALE FLECTO CONNECTOR SIGNAL CONTACTS**
DRAWING NUMBER: **F10-10XXXX45R**
SHT 4 OF 4