



Brand of NTN Group

Technical data

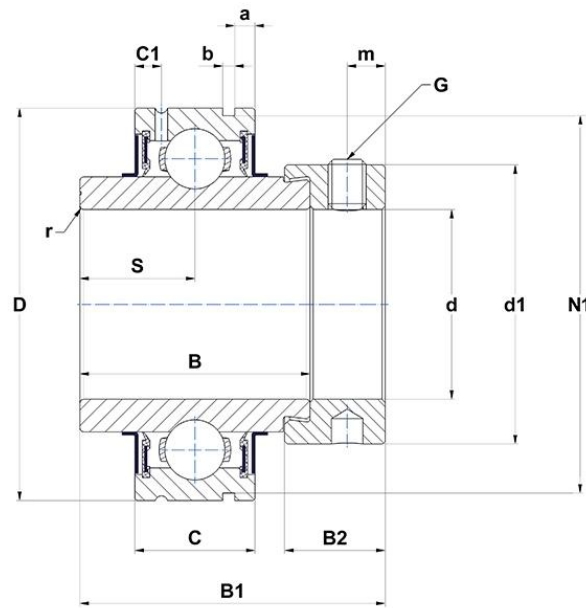
CEX208-24

Insert bearings



Cylindrical outer diameter, fixing by eccentric locking collar, seal with slinger

VISUAL (S)



PRODUCT DEFINITION

Brand	SNR
a - Distance to grooves in OR	3,4 mm
b - Groove width in OR	1,9 mm
B - Width of Inner Ring	42,8 mm
B1 - Overall width Inner Ring	56,3 mm
B2 - Width of eccentric locking collar/nut	18,3 mm
C - Width of Outer Ring	21 mm
C1 - Distance center of OR to center of lubrication zone	5 mm



NTN Europe

1 rue des Usines · BP 2017 · 74010 Annecy Cedex · France · Tel. +33 (0)4 50 65 30 00
 S.A. au capital de 322 639 919 € · RCS ANNECY B 325 821 072 · Id. Fiscale : FR 48 325 821 072
 SIRET 325 821 072 00015 · Code APE 2815 Z · Code NACE 28.15

PRODUCT DEFINITION

d - Shaft diameter	38,1 mm
d1 - Outer dia of eccent. Lock. collar / nut of adapter sleeve	60,3 mm
D - Outer diameter of OR	80 mm
G - Set screw size	5/16-24UNF
m - Distance to set screw	6,5 mm
N1 - Groove dia in OR	76,81 mm
r - Radius Inner Ring	1.5
S - Distance front side/bearing centre	21,4 mm
f0 - Factor	13.7
SW - Wrench size	3,969 mm

PRODUCT PERFORMANCE

C - Dynamic load rating	32600000 mN
C0 - Static load rating	19900000 mN
Operating temperature min.	253,15 °K
Operating temperature max.	373,15 °K

OTHER FEATURES

Mass	0,83 kg
Recommended tightening torque for set screw	8 N-m

BEARING FREQUENCIES

BPFO - Over rolling frequency on outer ring (60 rpm)	3.5475 Hz
BPFI - Over rolling frequency on inner (60 rpm)	5.4525 Hz
BSF - Over rolling frequency on rolling element (60 rpm)	4.51274278215223 Hz
BRF - Rotational frequency – rolling element (60 rpm)	2.25637139107612 Hz



BEARING FREQUENCIES

FTF - Rotational frequency - cage (60 rpm)

0.394166666666667 Hz

