

/auto2/new/u.q98-00261.i.customer/s.c-174263

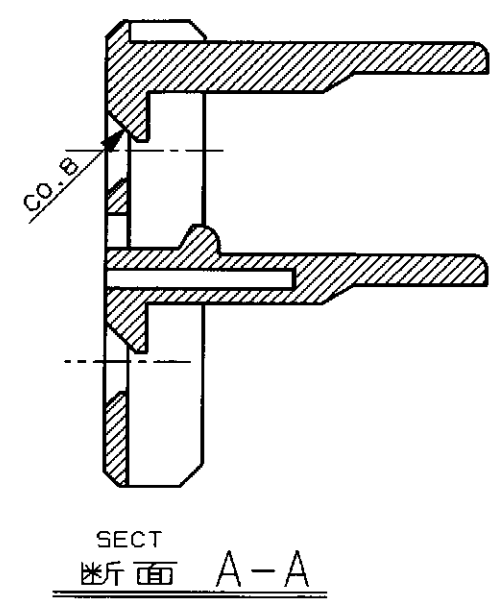
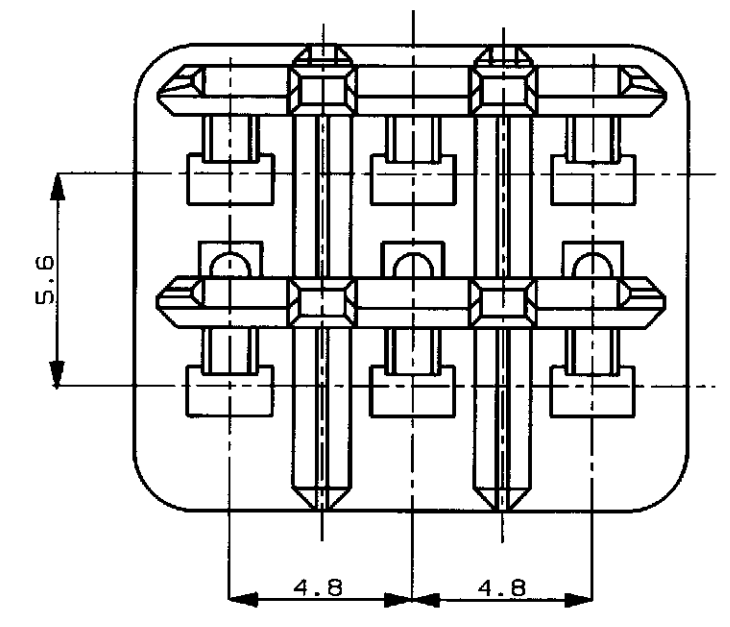
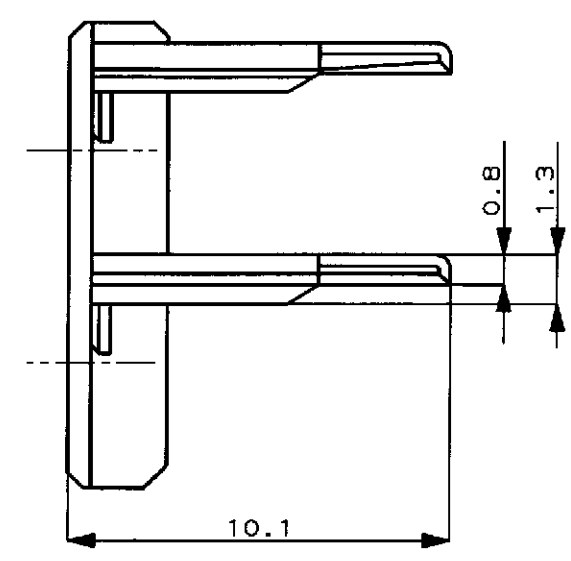
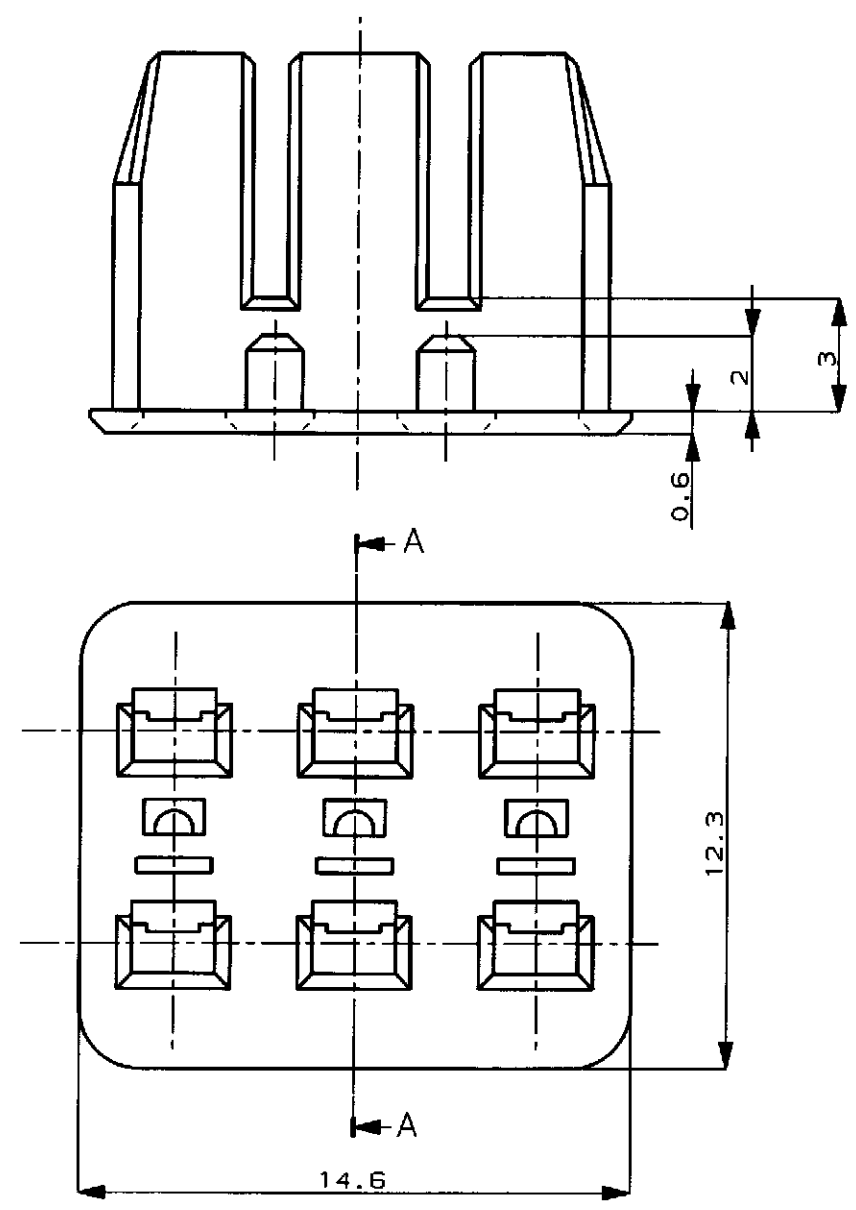
NUMBER  
C-174263



METRIC

DIMENSIONS IN MILLIMETERS. DO NOT SCALE PRINT

PRINT DIST



- 注 ;  
1. 本品はプラグハウジングP/N174262  
に装着される
- NOTE ;  
1. TO BE MATES WITH PLUG HOUSING P/N 174262

PBT	(NATURAL) 自然色	1-174263-1
PBT, 難燃材	(YELLOW) 黄	174263-7
MATERIAL 材料	HOUSING COLOR ハウジング色	P/N

© 19 BY AMP (Japan) LTD. ALL RIGHTS RESERVED. AMP PRODUCTS COVERED BY PATENTS AND OR PATENTS PENDING				<b>AMP</b> AMP (JAPAN), LTD. Tokyo, Japan	
WIRE RANGE mm <sup>2</sup> (AWG)		INSULATION DIA mmφ		NAME 6P. ECONOSEAL J-MARK II <sup>+</sup> CONNECTOR 6極 エコノシール J マーク II <sup>+</sup> DOUBLE LOCK PLATE FOR PLUG HOUSING プラグ用ダブルロックプレート	
B	REVISED	FJ00-0601-98	AY AB	3/12/98	MATERIAL PBT
A	ADDED 追加	1- -1	FJ00-3794-95	MT AT	12/12/95
O	作成	RELEASED	J-9751	T. S.Y. M	5/26/89
LTR	REVISION RECORD	DR	CHK	DATE	
GENERAL TOLERANCE		SIZE	LOC	NUMBER	
0<≦10 : ±0.2 10<≦30 : ±0.25 30<≦100 : ±0.3 ANGLES : ±3°		A3	J	C-174263	
SCALE		REV.	SHEET		
5-1		B	1 OF 1		

AMP-J  
REV 10/1/89  
F1029188

CUSTOMER DRAWING