



GSM GPS Combo Rugged 'Puck'

- GPS & GSM/CDMA Antenna
- World-Wide Use
- Rugged Screw Fix connector

GPS

- 1575.42MHz +/- 1MHz
- Active gain: 27dB typ
- Noise Figure 1.5max
- 3metres RG174 Cable
- SMA Male Connector
- Operates from 3—5V

GSM

- Quad Band Antenna
800/900/1800/1900MHz
- Active gain: +2dBi
- VSWR <1.5:1
- Omni directional
- 3m RG174 Connecting Lead
- SMA Male Connector



Applications

- Automotive GSM and GPS Systems
- Covert GSM / GPS Systems

Description

A Rugged antenna with high performance for worldwide use. This antenna provides Quad Band GSM combined with a GPS antenna. Housed in a rugged low profile UV resistant, this antenna is compact and resistant to Vandalism.

Part No	Description	Weight	Operating Temp
ANT-GSMGPSPUKS	GSM / GPS Combo Antenna Screw Mnt	190g	-30 to +80°C

R F Solutions Ltd.,
Unit 21, Cliffe Industrial Estate,
Lewes, E. Sussex. BN8 6JL. England.

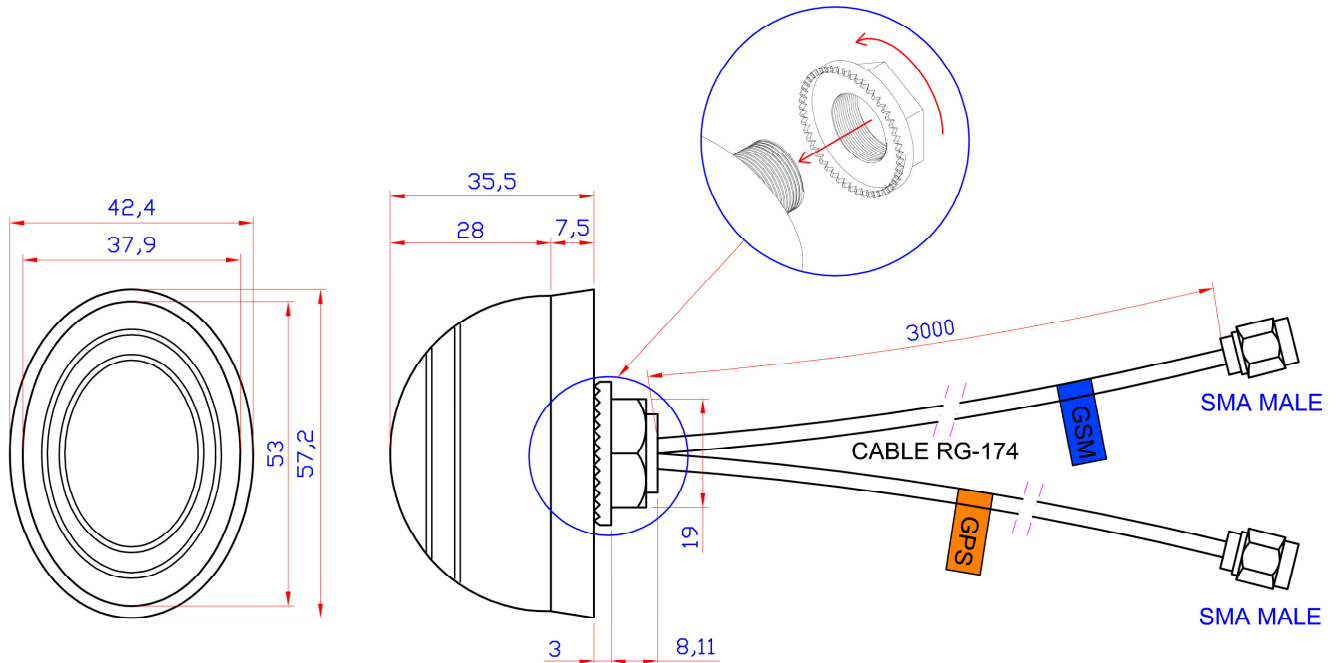
Email : sales@rfsolutions.co.uk <http://www.rfsolutions.co.uk>

Tel: +44 (0)1273 898 000 Fax: +44 (0)1273 480 661



GSM GPS Combo Rugged 'Puck'

Mechanical Detail



R F Solutions Ltd.,
Unit 21, Cliffe Industrial Estate,
Lewes, E. Sussex. BN8 6JL. England.

Email : sales@rfsolutions.co.uk <http://www.rfsolutions.co.uk>

Tel: +44 (0)1273 898 000 Fax: +44 (0)1273 480 661