

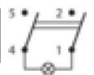
## Products


### A4 series | Illuminated double-pole switch 10A quick connection 4.8 black body



sample image

**PRODUCT CODE: A41831E0000**

Wiring diagrams 

Terminal type 

**accessories**

Body colour 

Actuator colour 

Marking 

Rating

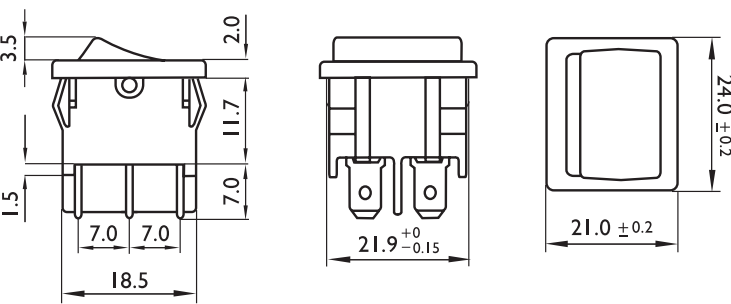
**10 (4) A / 250 VAC**  
**6 (4) A / 250 VAC - 5E4**  
**T125/55 °C**

Approvals

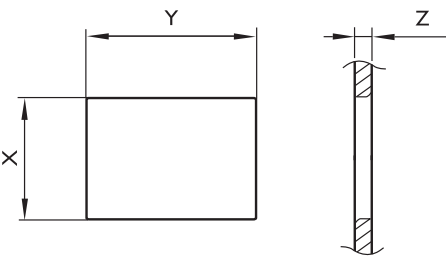
-  ENEC
-  UL
-  CSA
-  CE
-  CB
-  RoHS

10 A / 125 VAC  
 1/3 HP - 125 VAC  
 10 A / 250 VAC  
 1/2 HP - 250VAC  
 T105 °C

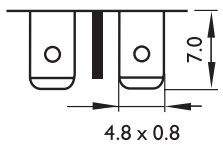
**Dimensions (mm)**



**Cut out (mm)**



**Termination**



Z	Y	X
0.7-1.25	22.0±0.1	13.0±0.1
1.25-2.0	22.0±0.1	13.0±0.1
2.0-3.0	22.0±0.1	13.0±0.1