

RS Pro Datasheet – Fiche Technique – Datenblatt

RS Pro: 144-8611

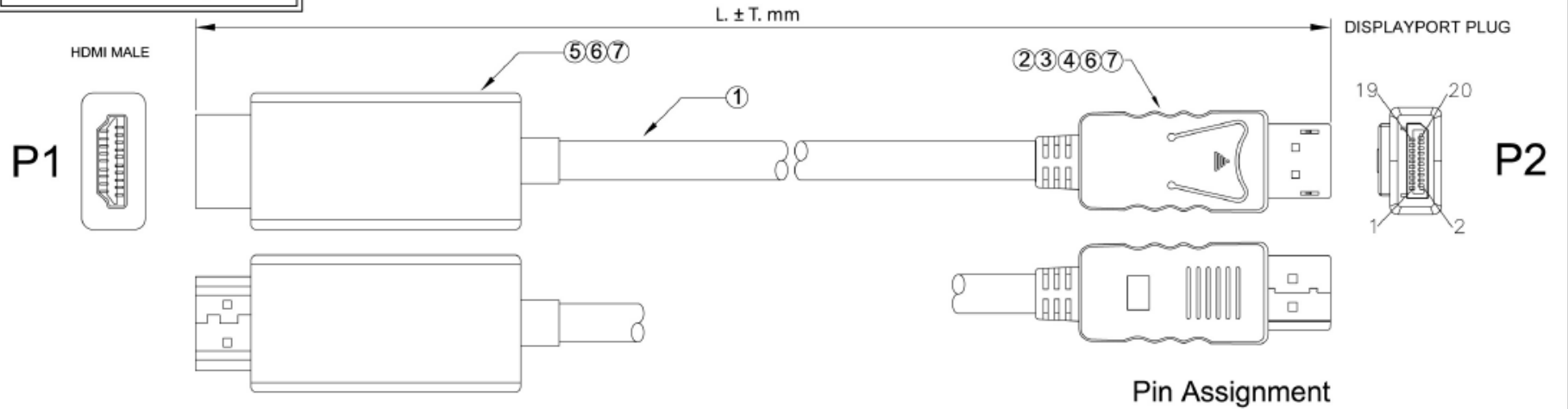


VALUE DisplayPort Cable, DP - UHDTV, M/M, black, 3.0 m

VALUE Câble DisplayPort DP - UHDTV, M/M, noir, 3.0 m

VALUE DisplayPort Kabel DP - UHDTV, ST/ST, schwarz, 3.0 m

RoHS Compliant



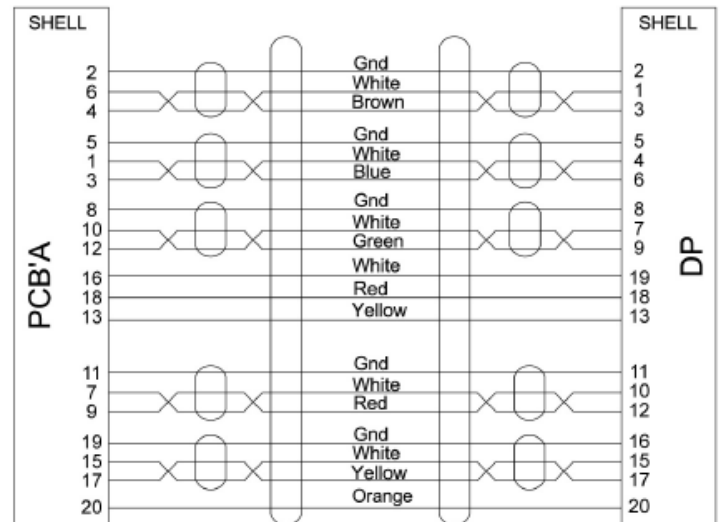
Pin Assignment

Table :

P/N	Length
11.99.5785	1000 ± 20 mm
11.99.5786	2000 ± 30 mm
11.99.5787	3000 ± 40 mm

Test requirement:

Resolution: 4K*2K@60HZ



- 1 Cable [30AWG(7/0.1T)x1P+D+AL+MYLAR]x5P+30AWG(7/0.1T)x5C+F+ADB16/5/0.12(AL) ◦
Jacket : PVC, Black ◦ O.D.=6.0±0.20mm ◦
- 2 DP Connector Male, Solder, Nickel Plated
- 3 Clip DP
- 4 Shell DP : ABS, Black
- 5 HDMI Connector DP to HDMI PCB'A, Nickel Plated
Shell : ABS, Black
- 6 PE LDPE
- 7 PVC 60P, Black

REV.	DATE	CONTENTS OF CHANGE	DESIGNER	TOL ±								APPROVAL	CHECK	DRAWING	DESIGN	DRAWING NAME	VALUE DisplayPort Cable, DP-UHDTV,M/M	
				RANGE	Pla	Met	Ina	Por	Cab	Pac	Gas							DIS
△				0~6	0.1	0.1	0.1	0.2	0.5	1	0.5	0.2	PHLP	PHLP	TREE	2016-05-6	PART NO. 11.99.5785, 11.99.5786, 11.99.5787	ROO
△				6~30	0.1	0.1	.15	.25	1	1	0.5	.25						
△				30~80	0.1	.15	0.2	0.3	2	1.5	1	0.3						
△				80~180	.15	.15	.25	0.3	2	2	1	.45						
△				180~315	.15	0.2	0.3	0.4	2.5	2	1	0.6						
△				315~800	0.2	0.3	0.4	0.5	3	3	2	1.1	⊕	SCALE	1:1	UNIT	MM	