

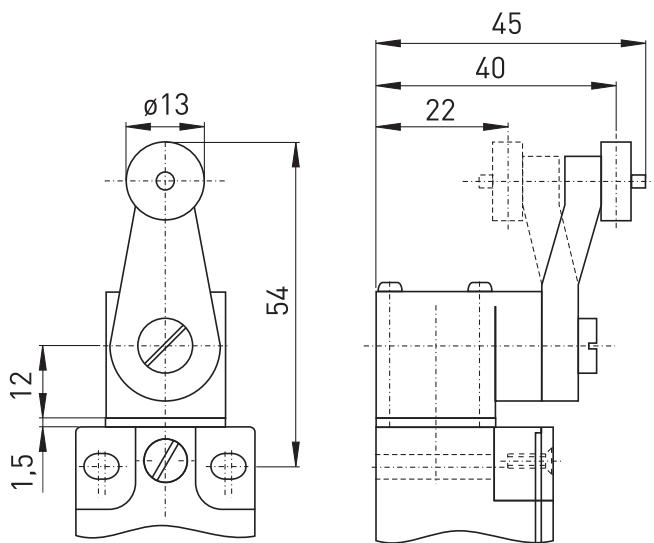
Ex switchgear with radio technology // Ex radio position switch EEx F 95 Roller lever D

Features/Options

- Thermoplastic enclosure
- To DIN EN 50 047
- Serial data output, output signal high on actuation
- EnOcean-protocol
- Data rate 120 kbps
- No power supply, no wiring and pipe laying required

- Multi-network capable
- Easy programming of receiver
- Lever angle adjustable in 10° steps
- Wear-resistant thermoplastic roller
- Actuator heads can be repositioned in 4 x 90° steps
- Metal roller available on request

Dimensions



Contact variants

Technical Data

Standards

IEC/EN 60947-5-1; EN 60079-0;
EN 60079-11; EN 61241-0, -11
⊕ II 2G Ex ib II T6
II 2D Ex ibD 21 T80°C

Enclosure

Protection class

IP 67 per IEC 60529

Protocol

EnOcean

Ambient temperature

-20 °C ... +65 °C

Switching frequency

approx. 6000 telegrams at
repetitions/h

Voltage supply

Electrodynamical energy generator

Frequency

868.3 MHz

Transmission power

max. 10 mW

Data rate

120 kbps

Bandwidth channel

280 kHz

Sensing range

max. 300 m outside,
max. 30 m inside

Actuating time

min. 80 ms

Note

no presence signal available

Errata and technical changes reserved.