



Main

Commercial Status	Commercialised
Range of product	Modicon TSX Micro automation platform
Product or component type	Modular base controller
Primary voltage	24 V 19.2...30 V DC
Input current	2 mA < 60 A
Immunity to micro-breaks	< 10 ms

Complementary

Number of slots	3
Integrated connection type	1 Modbus Modbus RTU 19.2 kbit/s 1 serial link (TER/AUX) Uni-Telway 19.2 kbit/s
Realtime clock	With
Memory description	Internal RAM 128 Kwords data storage Internal RAM (with PCMCIA card) 128 Kwords program and data Internal RAM 20 Kwords data Flash 15 Kwords data
Maximum size of object areas	256 %Mi 1 %MWi internal words 128 %KWi constant words
Execution time per instruction	4.5 µs arithmetic REAL floating with PCMCIA card 0.19 µs Boolean with PCMCIA card 4.5 µs arithmetic REAL floating without PCMCIA card 0.13 µs Boolean without PCMCIA card
Execution time for 1 K instruction	0.266 65 % Boolean and 35 % numerical with PCMCIA card 4 100 % Boolean with PCMCIA card 0.27 65 % Boolean and 35 % numerical without PCMCIA card 5.88 100 % Boolean without PCMCIA card
Application structure	1 fast task 1 master task 16 event tasks
System overhead	1.6 ms master task
Protection type	Overload protection Short-circuit
Total useful secondary power	16 W
Electromagnetic compatibility	Immunity to electromagnetic interference IEC 61131-2 Damped oscillatory wave IEC 1000-4-12 Immunity to impulse waves IEC 1000-4-5 Resistance to fast transient IEC 1000-4-4 level 3 Electromagnetic field immunity test IEC 1000-4-3 level 3 Electrostatic discharge IEC 1000-4-2 level 3

Environment

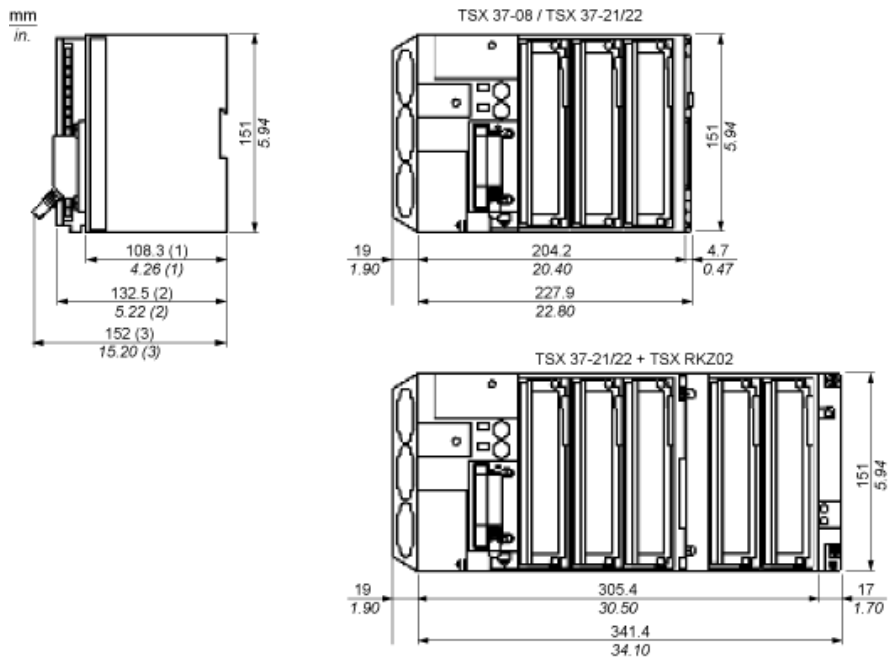
Ambient air temperature for operation	0...60 °C
Ambient air temperature for storage	-25...70 °C
Relative humidity	5...95 % without condensation for operation
Operating altitude	0...2000 m
Width	341.4 mm
Height	151 mm

Depth	152 mm
Product weight	1.72 kg

Offer Sustainability

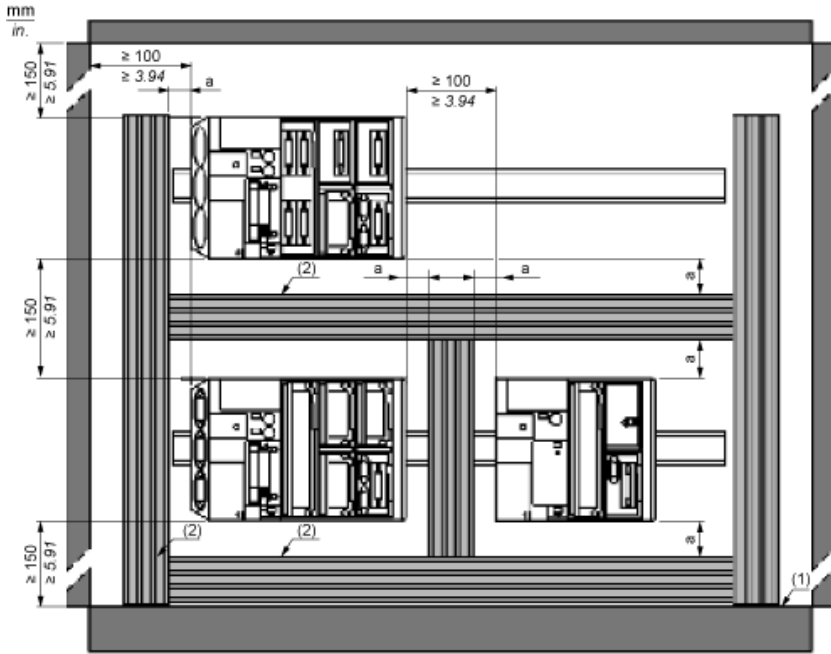
Sustainable offer status	Not Green Premium product
RoHS	Will not be Compliant
REACH	Reference contains SVHC above the threshold - go to CaP for more details

Dimensions



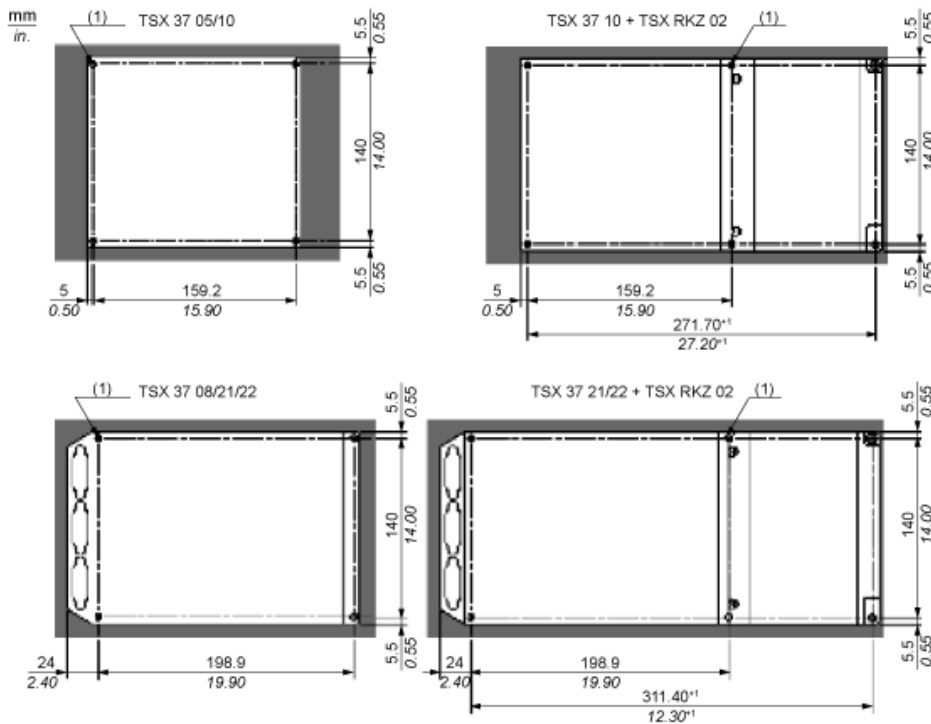
- (1) PLC empty.
- (2) With screw terminal block.
- (3) With HE10 or SubD connector.

Spacing Requirements



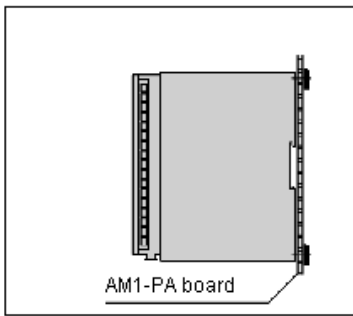
- a 50 mm/1.97 in. minimum
- (1) Installation or casing
- (2) Trough or cable tray

Panel/Board Mounting



- (1) The diameter of the fixing holes must be sufficient to take M4 screws.

Side View



Use 4 screws with M4x16AF1-VA416 captive washers and 4 M4 AF1-EA4 clip nuts.