



Brand of NTN Group

Technical data

UCFA210

Bearing units

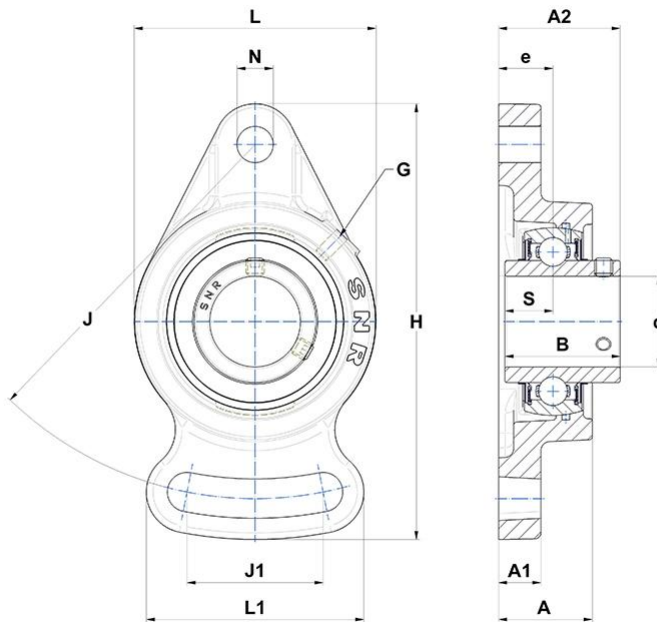


Grey cast housing, radial insert ball bearing with socket set screws, seal with slinger

KIT CONTENT

UC210G2, FA210

VISUAL (S)



PRODUCT DEFINITION

Brand	SNR
A - Housing height	40 mm
A1 - Housing foot height / flange height	18 mm
A2 - Total height from mounting surface	54,6 mm
B - Width of Inner Ring	51,6 mm
d - Shaft diameter	50 mm



NTN Europe

1 rue des Usines · BP 2017 · 74010 Annecy Cedex · France · Tel. +33 (0)4 50 65 30 00
 S.A. au capital de 322 639 919 € · RCS ANNECY B 325 821 072 · Id. Fiscale : FR 48 325 821 072
 SIRET 325 821 072 00015 · Code APE 2815 Z · Code NACE 28.15

PRODUCT DEFINITION

e - Distance mounting surface to bearing center	22 mm
G - Grease fitting	M6x1
H - Housing length, width or diameter	190 mm
J - Mounting holes distance	157 mm
J1 - Center distance of slotted hole	76 mm
L - Housing width / diameter	115 mm
L1 - Housing width at slotted hole	94 mm
N - Mounting hole dimension	15 mm
S - Distance front side/bearing centre	19 mm

PRODUCT PERFORMANCE

C - Dynamic load rating	35100000 mN
C0 - Static load rating	23200000 mN
Operating temperature min.	253,15 °K
Operating temperature max.	373,15 °K

OTHER FEATURES

Mass	2,2 kg
Recommended tightening torque for set screw	22 N-m

