

Product description

General information about Resist NR II ball guide rails

Refer to the next few pages for the material numbers. For the recommended rail lengths, dimensions and weights, refer to the corresponding standard steel ball guide rails. Observe the chapter entitled “Mounting Information”!

Send for the publications “Mounting Instructions for Ball Rail Systems” and “Mounting Instructions for the Cover Strip.”

Accessories: For cover strips, strip clamps and caps ... for ball guide rails, see the “Accessories for ball guide rails” chapter.

Corrosion resistance and conditions of use

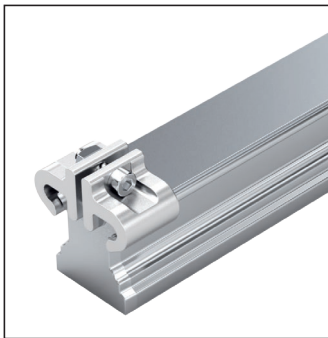
Ball guide rails Resist NR II and all steel parts are made of corrosion-resistant steel per EN 10088, with aluminum strip clamps. They are specifically intended for use in applications involving aqueous media, very dilute acids, alkalis or salt solutions. These guides are particularly suitable for use in relative humidities above 70 % and temperatures above 30 °C. These conditions can be found in particular in cleaning systems, electroplating and pickling plants, steam degreasing plants and in refrigerating machines. Since they have built-in corrosion protection, ball rail systems Resist NR II are also ideal for use in clean rooms and for general printed circuit board assembly. Other application areas include the pharmaceuticals and food industries.

For the recommended ball runner blocks for Resist NR II ball guide rails, see the “Resist NR II ball runner blocks” chapter
Combining different accuracy classes

When you combine ball guide rails and ball runner blocks of different accuracy classes, the tolerances change for dimensions H and A3 (see “Accuracy classes and their tolerances.”)

Ball guide rails, Resist NR II

R2045 .3. ..., SNS for mounting from above with cover strip and strip clamps



Options and part numbers

Size	Ball guide rail with size	Accuracy class			Number of sections, rail length L (mm),	
		N	H	P	One-piece	Composite
15 ¹⁾	R2045 13	4	3	2	31,	3.,
20	R2045 83	4	3	2	31,	3.,
25	R2045 23	4	3	2	31,	3.,
30	R2045 73	4	3	2	31,	3.,
35	R2045 33	4	3	2	61,	6.,
e.g.	R2045 73	3			31, 1676	

1) Maximum rail length 1856 mm, maximum number of holes n_b 30

Installation information

- ▶ Secure the cover strip!
- ▶ Strip clamps are supplied.
- ▶ Composite guide rails also available.

Ordering example 1 (to L_{max})

Options:

- ▶ NR II, SNS ball guide rail
- ▶ Size 30
- ▶ Accuracy class H
- ▶ One-piece
- ▶ Rail length
L = 1676 mm

Part number:

R2045 733 31, 1676 mm

Ordering example 2 (above L_{max})

Options:

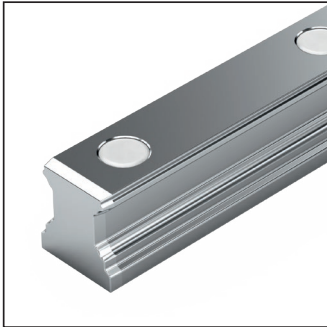
- ▶ NR II, SNS ball guide rail
- ▶ Size 30
- ▶ Accuracy class H
- ▶ **2 sections**
- ▶ Rail length
L = 5116 mm

Part number:

R2045 733 32, 5116 mm

Ball guide rails, Resist NR II

R2045 .0. ..., SNS for mounting from above with plastic caps



Options and part numbers

Size	Ball guide rail with size	Accuracy class			Number of sections, rail length L (mm),	
		N	H	P	One-piece	Composite
15 ¹⁾	R2045 10	4	3	2	31,	3.,
20	R2045 80	4	3	2	31,	3.,
25	R2045 20	4	3	2	31,	3.,
30	R2045 70	4	3	2	31,	3.,
35	R2045 30	4	3	2	31,	3.,
e.g.	R2045 70	3			31, 1676	

1) Maximum rail length 1856 mm, maximum number of holes n_B 30

Installation information

- ▶ Plastic mounting hole plugs included in scope of supply.
- ▶ Composite guide rails also available.

Ordering example 1 (to L_{max})

Options:

- ▶ NR II, SNS ball guide rail
- ▶ Size 30
- ▶ Accuracy class H
- ▶ One-piece
- ▶ Rail length
L = 1676 mm

Part number:

R2045 703 31, 1676 mm

Ordering example 2 (above L_{max})

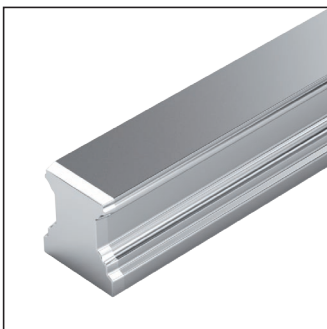
Options:

- ▶ NR II, SNS ball guide rail
- ▶ Size 30
- ▶ Accuracy class H
- ▶ **2 sections**
- ▶ Rail length
L = 5116 mm

Part number:

R2045 703 **32**, 5116 mm

R2047 .0. ..., SNS for mounting from below



Options and part numbers

Size	Ball guide rail with size	Accuracy class			Number of sections, rail length L (mm),	
		N	H	P	One-piece	Composite
15 ¹⁾	R2047 10	4	3	2	31,	3.,
20	R2047 80	4	3	2	31,	3.,
25	R2047 20	4	3	2	31,	3.,
30	R2047 70	4	3	2	31,	3.,
35	R2047 30	4	3	2	31,	3.,
e.g.	R2047 70	3			32, 5116	

1) Maximum rail length 1856 mm, maximum number of holes n_B 30

Installation information

- ▶ Composite guide rails also available.

Ordering example 1 (to L_{max})

Options:

- ▶ NR II, SNS ball guide rail
- ▶ Size 30
- ▶ Accuracy class H
- ▶ One-piece
- ▶ Rail length
L = 1676 mm

Part number:

R2047 703 31, 1676 mm

Ordering example 2 (above L_{max})

Options:

- ▶ NR II, SNS ball guide rail
- ▶ Size 30
- ▶ Accuracy class H
- ▶ **2 sections**
- ▶ Rail length
L = 5116 mm

Part number:

R2047 703 **32**, 5116 mm