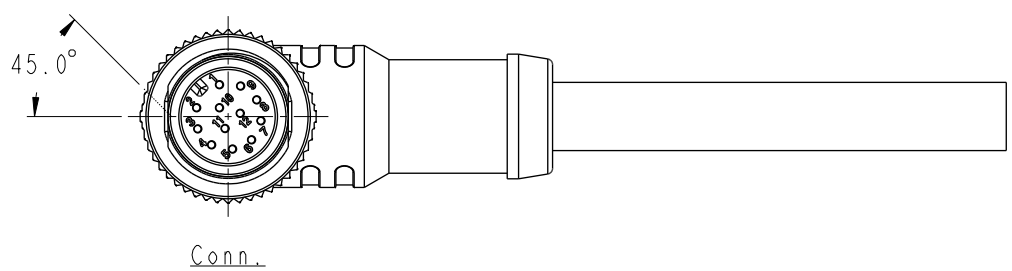
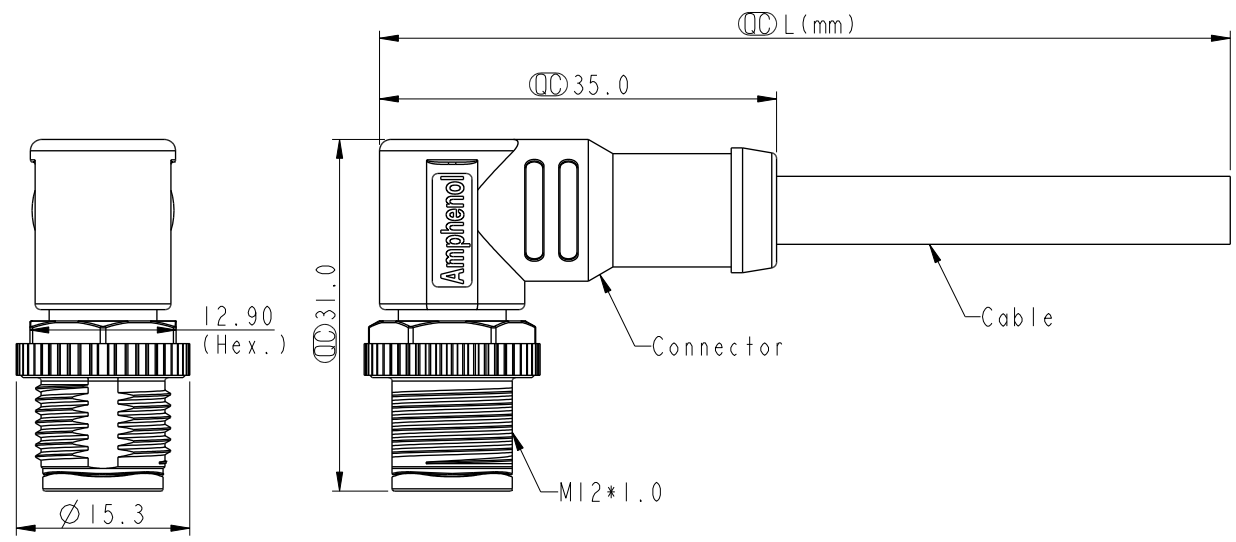


THIS DOCUMENT IS SUBJECT TO CHANGE WITHOUT NOTICE. IT IS CONFIDENTIAL AND A PROPERTY OF Amphenol LTW. DISCLOSURE TO THIRD PARTY HAS TO BE AUTHORIZED BY Amphenol LTW.

REV.	ECN NO.	DATE	SIGN	DESCRIPTION
E	C201613	2020/10/21	Vicky	△E X4
F	C210020	2021/01/07	Vicky	△E X1
G	C210221	2021/03/18	Vicky	△G X4



**Note:**  
 \* RoHS Compliant  
 \*  $\varnothing$  Important dimension  
 \* Waterproof rate: IPX8, mated 1m/24h  
 IPX9K, mated

- \* Connector  
 Housing: Thermoplastic, Black  
 Pin: Copper alloy, Gold plated
- △F Nut: Metal  
 Outer mold: Thermoplastic, Black
- \* Cable: UL2517, PVC Jacket, Black
- \* Cable length tolerance: 1M: +50/-0 mm  
 1M < L ≤ 3M: +100/-0 mm  
 3M < L ≤ 5M: +150/-0 mm  
 5M < L ≤ 10M: ±100 mm  
 10M < L ≤ 20M: ±200 mm  
 20M < L ≤ 30M: ±300 mm  
 30M < L ≤ 99M: ±500 mm


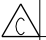

UNIT: mm  
 TOLERANCE  
 $\pm 0.5\text{mm}$

TITLE N SEN, M12 A, SCREW CABLE W/O SR, M, M, MOLDING			△G
SCALE 3:2	SIZE A4	SHEET 1 OF 2	
REV. G	WC-REV. A.1	⊙: Inspection item	

**Amphenol LTW**  
 安費諾亮泰企業股份有限公司

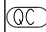
ITEM NO.	DRAWN BY Lingpeng	DATE 2017-04-06
DWG NO. △E M12A-XXBMMM-SR8DXX	CHECKED BY Ma Fei	DATE 2017-04-06
CUSTOMER ALTW	APPROVED BY Jerry	DATE 2017-04-06

THIS DOCUMENT IS SUBJECT TO CHANGE WITHOUT NOTICE. IT IS CONFIDENTIAL AND A PROPERTY OF Amphenol LTW. DISCLOSURE TO THIRD PARTY HAS TO BE AUTHORIZED BY Amphenol LTW.

 <b>M12A-XXBMMM-SR8DXX</b> XX: No. Of Pin									
					XX: 01~99Meters 01: 01Meter 02: 02Meters : 99: 99Meters	12P 10P 8P 6P 5P 4P 3P Contacts	6.0 5.5 5.0 5.1 4.8 4.5 Cable OD	26 24 22 AWG	M12A-12BMMM-SR8DXX M12A-10BMMM-SR8DXX M12A-08BMMM-SR8DXX M12A-06BMMM-SR8DXX M12A-05BMMM-SR8DXX M12A-04BMMM-SR8DXX M12A-03BMMM-SR8DXX Item No.

Pin Out	Pin #	Wire	Pin #	Wire	Pin #	Wire	Pin #	Wire	Pin #	Wire	Pin #	Wire
	5	--	5	--	5	Gray	灰	5	--	5	Red	紅
	4	Black	4	Black	4	Black	黑	4	Blue	4	Blue	藍
	3	Blue	3	Blue	3	Blue	藍	3	Yellow	3	Green	綠
	2	--	2	White	2	White	白	2	Green	2	Brown	棕
	1	Brown	1	Brown	1	Brown	棕	1	Brown	1	White	白
	4	Black	4	Black	4	Black	黑	4	Yellow	4	Yellow	黃
	3	Blue	3	Blue	3	Blue	藍	3	Green	3	Green	綠
	2	--	2	White	2	White	白	2	Brown	2	Brown	棕
	1	Brown	1	Brown	1	Brown	棕	1	White	1	White	白
	8	--	8	--	8	Red	紅	8	Red	8	Red	紅
	7	Blue	7	Blue	7	Blue	藍	7	Blue	7	Blue	藍
	6	Pink	6	Pink	6	Pink	粉	6	Pink	6	Pink	粉
	5	--	5	--	5	Gray	灰	5	Gray	5	Gray	灰
	4	Yellow	4	Yellow	4	Yellow	黃	4	Yellow	4	Yellow	黃
	3	Green	3	Green	3	Green	綠	3	Green	3	Green	綠
	2	Brown	2	Brown	2	Brown	棕	2	Brown	2	Brown	棕
	1	White	1	White	1	White	白	1	White	1	White	白
	12	--	12	Red/Blue	12	Red/Blue	紅/藍	12	--	12	Red/Blue	紅/藍
	11	--	11	Gray/Pink	11	Gray/Pink	灰/粉	11	--	11	Gray/Pink	灰/粉
	10	Violet	10	Violet	10	Violet	紫	10	Violet	10	Violet	紫
	9	Black	9	Black	9	Black	黑	9	Black	9	Black	黑
	8	Red	8	Red	8	Red	紅	8	Red	8	Red	紅
	7	Blue	7	Blue	7	Blue	藍	7	Blue	7	Blue	藍
	6	Pink	6	Pink	6	Pink	粉	6	Pink	6	Pink	粉
	5	Gray	5	Gray	5	Gray	灰	5	Gray	5	Gray	灰
	4	Yellow	4	Yellow	4	Yellow	黃	4	Yellow	4	Yellow	黃
	3	Green	3	Green	3	Green	綠	3	Green	3	Green	綠
	2	Brown	2	Brown	2	Brown	棕	2	Brown	2	Brown	棕
	1	White	1	White	1	White	白	1	White	1	White	白

Pin Assignments Front View

UNIT:mm		TITLE N SEN, M12 A, SCREW CABLE W/O SR, M, M, MOLDING		ITEM NO	DRAWN BY Lingpeng	DATE 2017-04-06
TOLERANCE ±0.5mm		SCALE 3:2	SIZE A4	SHEET 2 OF 2	CHECKED BY Ma Fei	DATE 2017-04-06
		REV. G	WC-REV. A.1	 Inspection item	APPROVED BY Jerry	DATE 2017-04-06
<h1 style="margin: 0;">Amphenol LTW</h1> <h2 style="margin: 0;">安費諾亮泰企業股份有限公司</h2>				DWG NO  M12A-XXBMMM-SR8DXX CUSTOMER ALTW		