

# Hour meters / timers, electromechanical

Timers, round design

High protection rating (AC+DC)

HR 76



The hour meter HR 76 feature a very high shock resistance.

These panel-mount counters for round panel cut-outs can be used in many different fields of application. These non-resettable counters are very robust and extremely tamper-proof.

## Characteristics

- 6-digit hour meter
- Low cost
- High shock resistance
- Low energy consumption
- Magnified large figures
- Protection IP65
- Data retention in case of power failure
- Long service life

## Benefits

- 50/60 Hz in the same device
- Small mounting depth
- Waterproof on the front and on the rear

## Applications

Operating hours measurement with construction and agricultural machinery, compressors, power units

## Type series

Description	Mounting	Type
Timer, round	screw mounting front side	HR 76.1
Timer, round	clip mounting	HR 76.2

Accessories	Dimensions in mm [inch]	Order-No.
Counter mounting fixture	For round counters with cut-out $\varnothing$ 53 [2.09"]	schwarz N510199

Suitable gaskets as well as further accessories can be found in the accessories section or in the accessories area of our website at: [www.kuebler.com/accessories](http://www.kuebler.com/accessories).

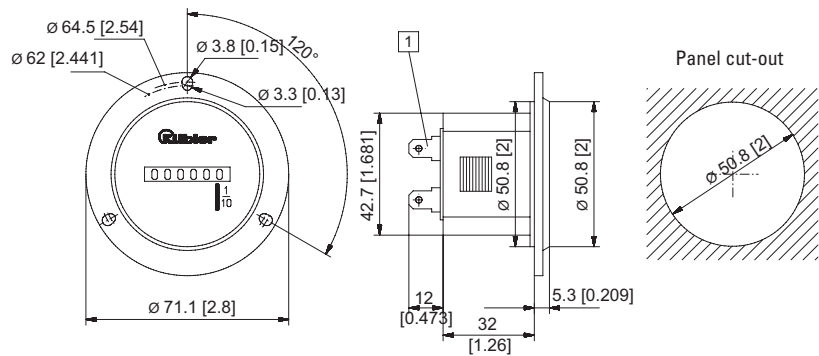
Technical data	
Electrical connection	flat pin 0.8 x 6.3 mm [0.031 x 0.25"]
Power consumption	AC max. 0.4 VA 12 V DC max. 0.08 W 48 V DC max. 0.7 W
Rated voltages	AC (50 or 60 Hz) 115/230 V AC, $\pm$ 10 %, 50/60 Hz DC 10 ... 80 V DC
On time	100 %
Number of digits	6: 99999.9 h
Count mode	adding
Height of figures	3.5 mm [0.14"] heigh
Colour of figures	white on black
Reset	no reset

Operating temperature	-30°C ... +65°C [-22°F ... +185°F] (non-condensing)
Storage temperature	-40°C ... +85°C [-40°F ... +149°F]
Mounting position	any
Protection	IP65 (except the connections)
Housing	plastic PC (Polycarbonate)
Accuracy	< 0.02% over the full range
Weight	HR 76.1 56 g [1.98 oz] HR 76.2 54 g [1.91 oz]
EMC	Emitted interference EN 55011 class B Immunity to interference EN 61000-6-2
Device safety	Designed to EN 61010 part 1 Protection class 2 Application area Pollution level 2
UL approval	E128604

# Hour meters / timers, electromechanical

**Timers, round design**      **High protection rating (AC+DC)**      **HR 76**

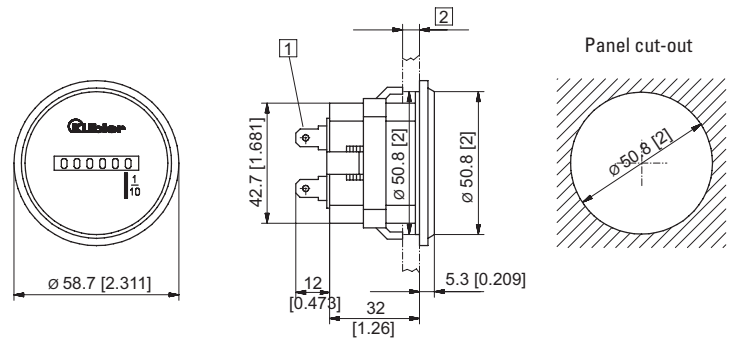
**Timer, round  
screw mounting front side  
Type HR 76.1**



1) Electrical connection: flat pin 0.8 x 6.3 [0.031 x 0.25]

Type	Display	Voltage	Art.-No.			
			10 ... 80 V DC	115 V	230 V	
HR 76.1	6 digits	AC (50/60 Hz)		0.135.100.301 <sup>1)</sup>	0.135.100.302 <sup>1)</sup>	Gasket for front bezel N511150 not included in delivery
		DC	0.135.100.373 <sup>1)</sup>			

**Timer, round  
clip mounting  
Type HR 76.2**



For mounting the counter onto a flat plate, see accessories chapter  
Art.-No.: N510199

1) Electrical connection: flat pin 0.8 x 6.3 [0.031 x 0.25]      2) max. 9 [035]

Type	Display	Voltage	Art.-No.			
			10 ... 80 V DC	115 V	230 V	
HR 76.2	6 digits	AC (50/60 Hz)		0.135.200.301 <sup>1)</sup>	0.135.200.302 <sup>1)</sup>	Gasket integrated in counter
		DC	0.135.200.373 <sup>1)</sup>			