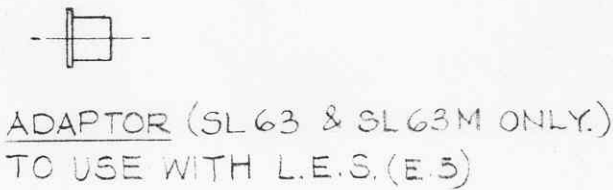
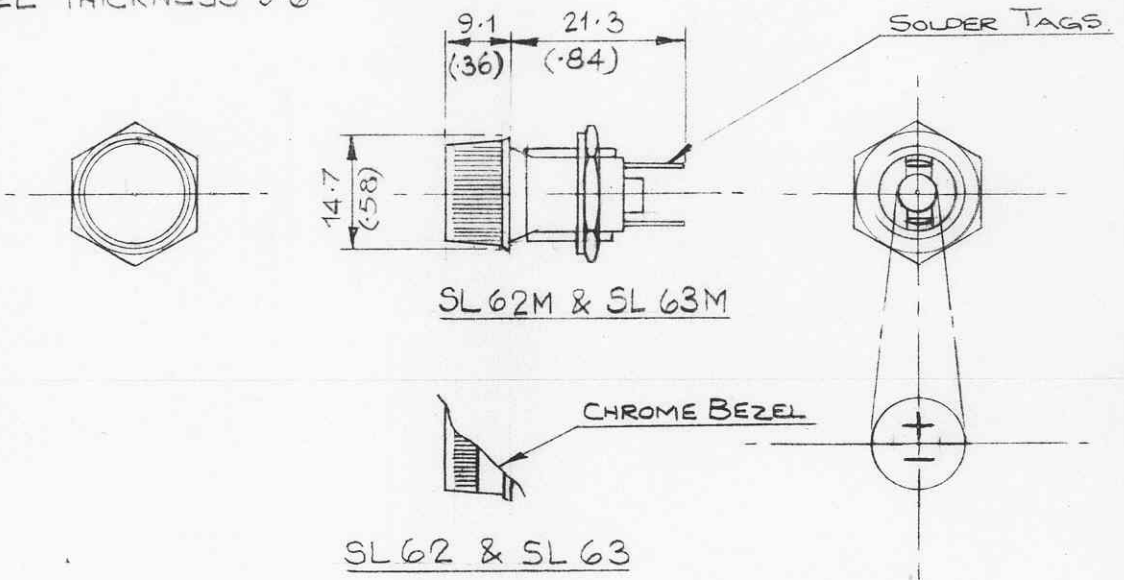
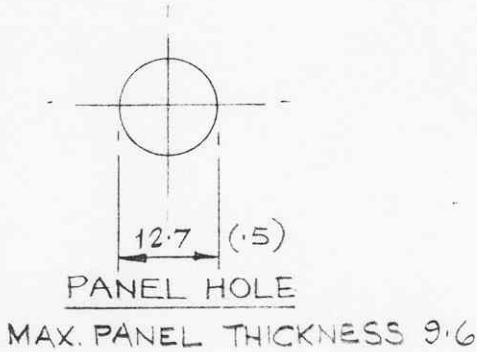


CHANGE NOTE	DATE	ISSUE	CHANGE NOTE	DATE	ISSUE	CHANGE NOTE	DATE	ISSUE	DRAWN	F.G.	CATALOGUE NO.
154	11-7-79	1			4			7	CHECKED		T0062A0
DCR 2887	9-1-90	2			5			8	SCALE	1.1	T0062M0
		3			6			9	DATE	10-7-79	T0063A0
											T0063M0

3rd ANGLE PROJECTION

DIMENSIONS IN MILLIMETRES (INCHES)



LIMITS UNLESS OTHERWISE STATED	MAT.	TITLE	USED IN
DECIMALS ± 0.125 (.005)	SPEC.	OUTLINE DRAWING OF L.V. LAMPHOLDER	CATALOGUE NO T0062A0 & M0
FRACTIONS ± 0.4 (1/64)	FINISH	ARCOLECTRIC SWITCHES LTD. WEST MOLESEY SURREY	T0063A0 & M0