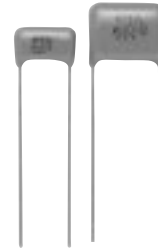


## High Sound Quality PPS Film Capacitor

Type: **ECHR**

Non-inductive construction using PPS film with Copper foil as electrode, O.F.C. wire and epoxy resin coating



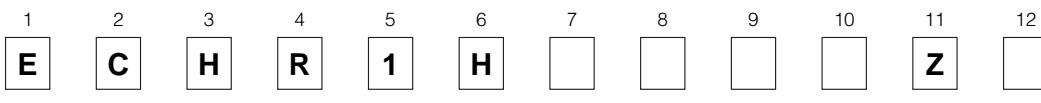
### ■Features

- Improvement of sound quality
- Excellent electrical characteristics

### ■Recommended Applications

- High fidelity circuit in audio, video, etc.

### ■Explanation of Part Numbers



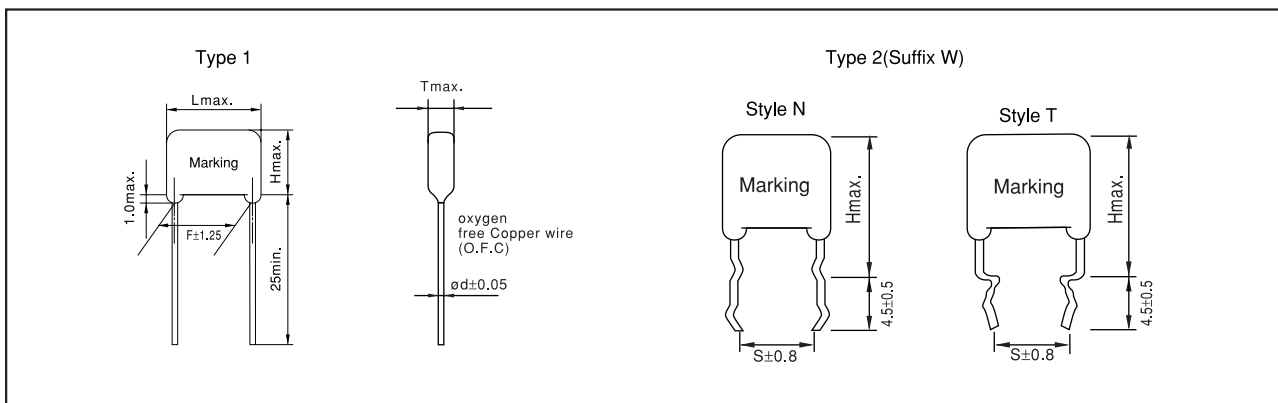
Product code      Dielectric & construction      Rated volt.      Capacitance      Cap. Tol.      Suffix      Suffix

$\pm 2\%$	$\pm 5\%$	Taping				Crimped lead	
G	J	Ammo		Reel		Type 1	Type 2
		Straight	Crimped	Straight	Crimped		
		2	3	5	9	Blank	W

### ■Specifications

Category temp. range (Including temperature-rise on unit surface)	-40 to + 85°C
Rated voltage	50VDC
Capacitance range	0.0001 to 0.1μF
Capacitance tolerance	$\pm 2\%$ (G), $\pm 5\%$ (J)
Dissipation factor	0.3%max. (20°C, 1kHz)
Withstand voltage	Between terminals : Rated volt.(VDC) $\times 250\%$ 1 to 5s
Insulation resistance	45000MΩmin. (20°C, 50VDC 60s)

### ■Dimensions in mm(not to scale)

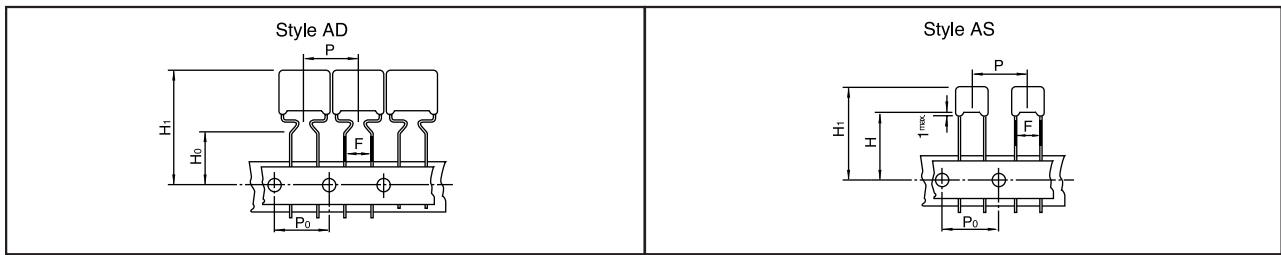


### ■Packaging Specifications for Bulk Package

Packing quantity:100pcs./bag

### ■ Taping Specifications for Automatic Insertion

#### ● Taping style



\* Refer to the taping specification.

#### ● Packaging Specifications

Type	Rated volt.	Cap. range (μF)	Taping style					Packing	
			AD	AS	B	C	D		E
ECHR	50VDC	0.0001 to 0.022	○						Ammo
		0.0001 to 0.0039		○					Ammo
		0.0001 to 0.022	○						Reel
		0.0001 to 0.0039		○					Reel

#### ● Lead Spacing

Style	Lead Spacing
AD	5.0mm
AS	5.0mm

\* See the column "Rating, Dimensions & Quantity Box" for packing quantity.

### ■ Rating, Dimensions & Quantity/Ammo Box & Reel

● Rated voltage : 50VDC, Capacitance tolerance : ±2%(G), ±5%(J)

Part No.	Cap. (μF)	Dimensions (mm)							Quantity		
		L max.	T max.	H max.		F	S		ød	Ammo	Reel
				Type-1	Type-2		Type-1	Type-2			
ECHR1H101	Z ( )	0.0001	8.5	4.0	7.5	12.5	5.00	5.0	0.60	1000	1000
ECHR1H121	Z ( )	0.00012	8.5	4.0	7.5	12.5	5.00	5.0	0.60		
ECHR1H151	Z ( )	0.00015	8.5	4.0	7.5	12.5	5.00	5.0	0.60		
ECHR1H181	Z ( )	0.00018	8.5	4.0	7.5	12.5	5.00	5.0	0.60		
ECHR1H221	Z ( )	0.00022	8.5	4.0	7.5	12.5	5.00	5.0	0.60		
ECHR1H271	Z ( )	0.00027	8.5	4.0	7.5	12.5	5.00	5.0	0.60		
ECHR1H331	Z ( )	0.00033	8.5	4.0	7.5	12.5	5.00	5.0	0.60		
ECHR1H391	Z ( )	0.00039	8.5	4.0	7.5	12.5	5.00	5.0	0.60		
ECHR1H471	Z ( )	0.00047	8.5	4.0	7.5	12.5	5.00	5.0	0.60		
ECHR1H561	Z ( )	0.00056	8.5	4.0	7.5	12.5	5.00	5.0	0.60		
ECHR1H681	Z ( )	0.00068	8.5	4.0	7.5	12.5	5.00	5.0	0.60		
ECHR1H821	Z ( )	0.00082	8.5	4.0	7.5	12.5	5.00	5.0	0.60		
ECHR1H102	Z ( )	0.001	8.5	4.5	8.0	13.0	5.00	5.0	0.60		
ECHR1H122	Z ( )	0.0012	8.5	4.5	8.0	13.0	5.00	5.0	0.60		
ECHR1H152	Z ( )	0.0015	8.5	4.5	8.0	13.0	5.00	5.0	0.60		
ECHR1H182	Z ( )	0.0018	8.5	4.5	8.0	13.0	5.00	5.0	0.60		
ECHR1H222	Z ( )	0.0022	8.5	4.5	8.0	13.0	5.00	5.0	0.60		
ECHR1H272	Z ( )	0.0027	8.5	4.5	8.0	13.0	5.00	5.0	0.60		
ECHR1H332	Z ( )	0.0033	8.5	4.5	8.0	13.0	5.00	5.0	0.60		
ECHR1H392	Z ( )	0.0039	8.5	4.5	8.0	13.0	5.00	5.0	0.60		
ECHR1H472	Z ( )	0.0047	12.0	4.5	7.5	12.5	7.50	5.0	0.60		
ECHR1H562	Z ( )	0.0056	12.0	4.5	7.5	12.5	7.50	5.0	0.60		
ECHR1H682	Z ( )	0.0068	12.0	5.0	8.0	13.0	7.50	5.0	0.60		
ECHR1H822	Z ( )	0.0082	12.0	5.0	8.0	13.0	7.50	5.0	0.60		
ECHR1H103	Z ( )	0.01	12.0	5.5	8.5	13.5	7.50	5.0	0.60		
ECHR1H123	Z ( )	0.012	12.0	5.5	8.5	13.5	7.50	5.0	0.60		
ECHR1H153	Z ( )	0.015	12.0	5.5	8.5	13.5	7.50	5.0	0.60		
ECHR1H183	Z ( )	0.018	12.0	5.5	8.5	13.5	7.50	5.0	0.60		
ECHR1H223	Z ( )	0.022	12.0	6.0	9.0	14.0	7.50	5.0	0.60		
ECHR1H273	Z ( )	0.027	14.0	5.0	10.0	15.0	10.00	5.0	0.60		
ECHR1H333	Z ( )	0.033	14.0	5.5	10.0	15.0	10.00	5.0	0.60		
ECHR1H393	Z ( )	0.039	14.0	6.0	10.5	15.5	10.00	5.0	0.60		
ECHR1H473	Z ( )	0.047	14.0	6.5	11.0	16.0	10.00	5.0	0.60		
ECHR1H563	Z ( )	0.056	14.0	7.0	11.5	16.5	10.00	5.0	0.60		
ECHR1H683	Z ( )	0.068	17.0	6.5	11.0	16.0	12.50	5.0	0.60		
ECHR1H823	Z ( )	0.082	17.0	7.0	11.5	16.5	12.50	5.0	0.60		
ECHR1H104	Z ( )	0.1	17.0	7.5	12.0	17.0	12.50	5.0	0.60		

— Suffix for lead crimped or taped type.  
— Cap. tol. code

StyleN:0.0001 to 0.0039 μF  
StyleT:0.0047 to 0.1 μF