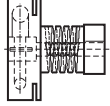
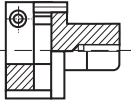


Couplings

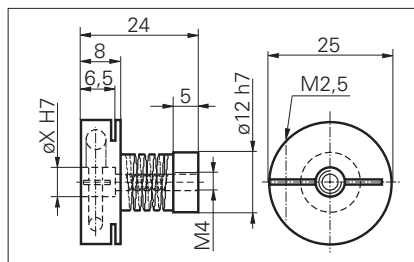
Hollow shaft encoders

Overview couplings

	 spiral coupling stainless steel	 controlflex Alu/POM
high torque		○
low moment of inertia		○
vibration absorption		○
electrically insulating		○
multi-section		○
rust and chemical resistant	○	
clamp fastening	○	○

Integral coupling

stainless steel

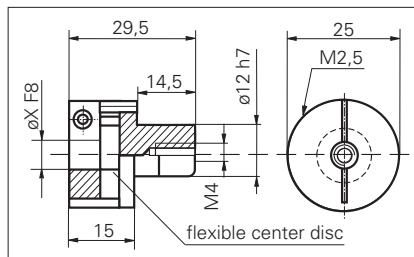


ø X	part nr.
ø 6 mm	110595
ø 6,35 mm	111342
ø 8 mm	111097
ø 10 mm	111100
ø 12 mm	111102

max. rated torque	(Nm)	0,42		
axial axis misalignment	(mm)	±0,2		
parallel axis misalignment	(mm)	±0,2		
angular axis misalignment	(°)	1		
torsional stiffness	(Nm/rad)	32		
moment of inertia	(kgm ² *10E-7)	12,5		

Controlflex coupling

Alu/POM (Poly Oxide Methyl)

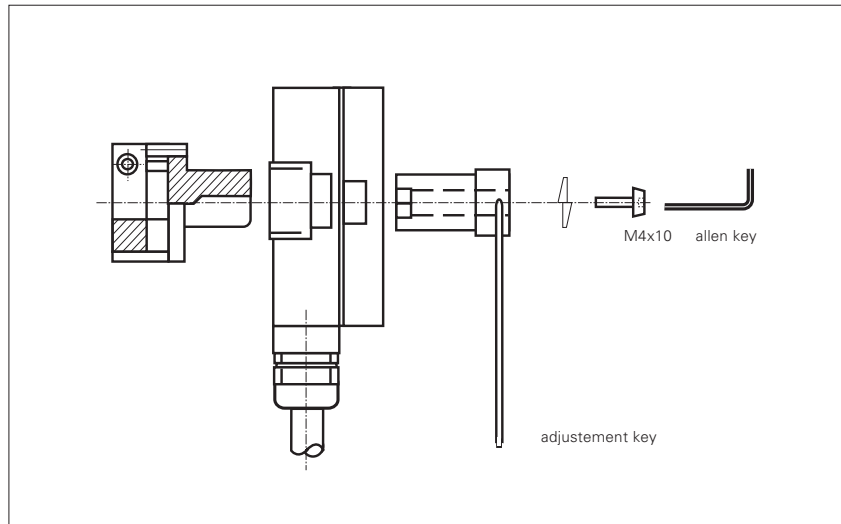


ø X	part nr.
ø 6 mm	114826
ø 8 mm	114823
ø 10 mm	114824
ø 12 mm	114825

max. rated torque	(Nm)	1		
axial axis misalignment	(mm)	±0,4		
parallel axis misalignment	(mm)	±0,25		
angular axis misalignment	(°)	1		
torsional stiffness	(Nm/rad)	29		
moment of inertia	(kgm ² *10E-7)	8		

Mounting couplings Hollow shaft encoders

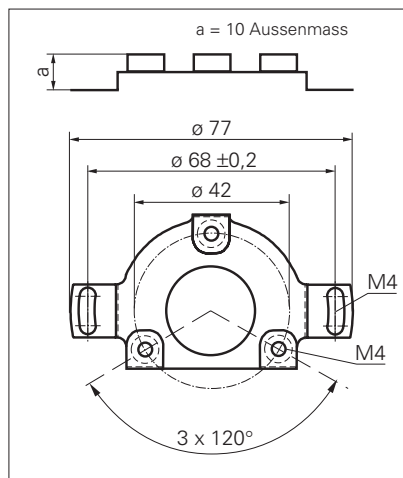
Mounting example



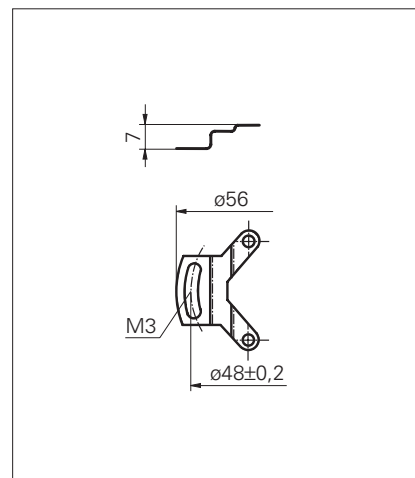
1. Insert coupling in hollow shaft
2. Place adjustment key through hood in slot of hollow shaft
3. Insert spring washer and screw in hollow shaft
4. Screw the screw into coupling with allen key
Tightening torque 250 Ncm.

allen key 3 mm	part nr. 112430
adjustment key	part nr. 114450
allen key for BHT for clamping element 2,5 mm	part nr. 112431

Spring plate set



For hollow shaft encoder:
BHF, BHG, BFF, BFG, BMSH, BMMH,
BOSD, BOSH, BOMH
containing:
spring plate incl. screws
part nr. 136635



For hollow shaft encoder:
BMSH 42, BMMH 42
containing:
spring plate incl. screws
part nr. 138610